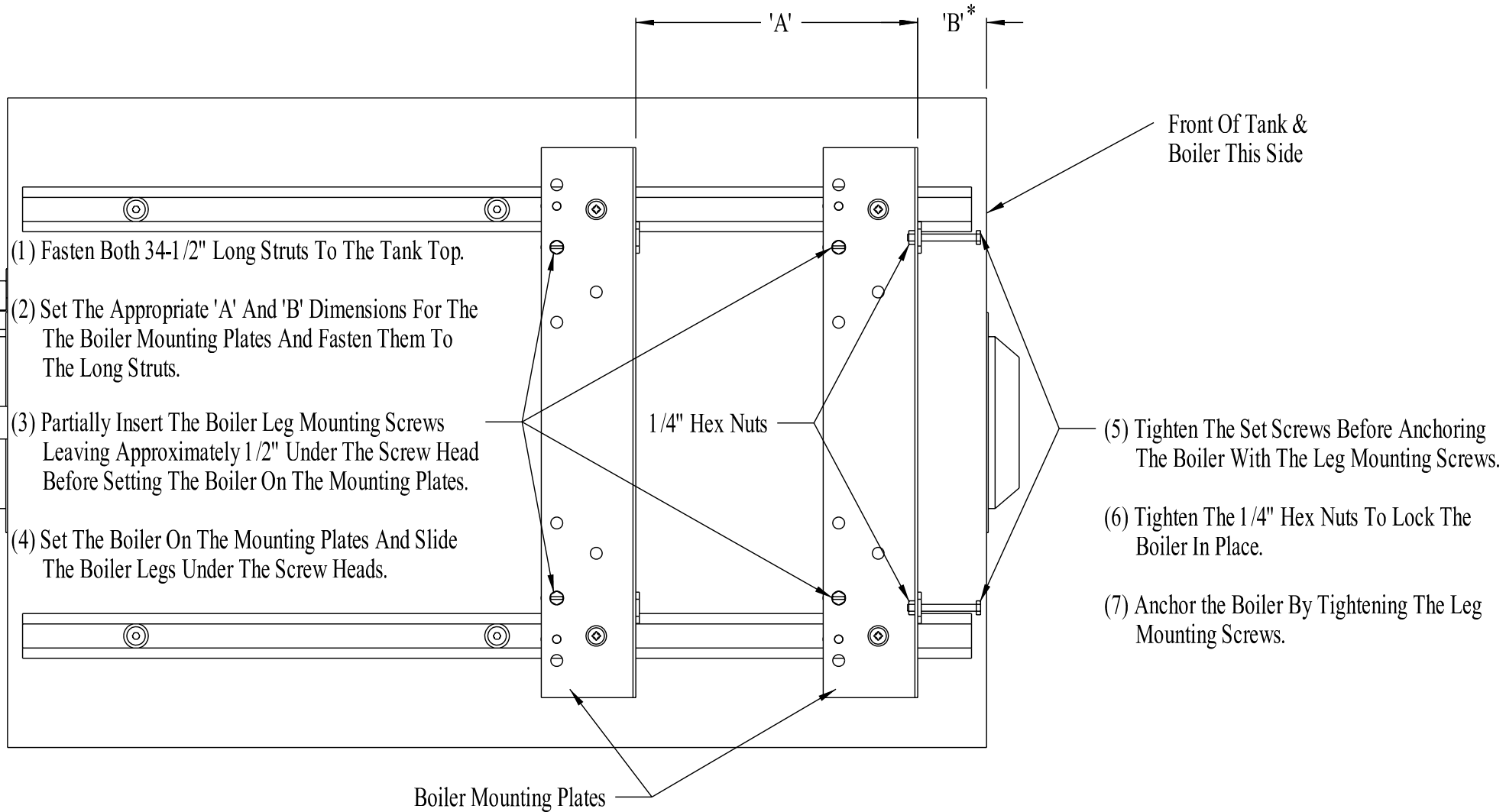


# CT Boiler Mounting Instructions



Model	'A'	'B'
CT3	10-1/4	2-1/2
CT4	15-1/4	2-1/2
CT5	20-5/16	2-1/2
CT6	25-3/8	2-1/2
CT7	30-1/2	2-1/2

\* This Dimension Locates The Front Of The CT Jacket Approximately Flush With The Front Of The Tank. 'B' May Be Increased If Needed.

# CT Mounting Hardware Configuration

(4) 1/4"-20 x 3/4" Slotted  
Hex Washer Head Screw

(4) 5/16"-18 x 3/4"  
Phillips Head Screw

(4) 5/16  
Flat Washer

(2) Boiler  
Mounting Plate

(2) 1/4"-20 Hex Nut

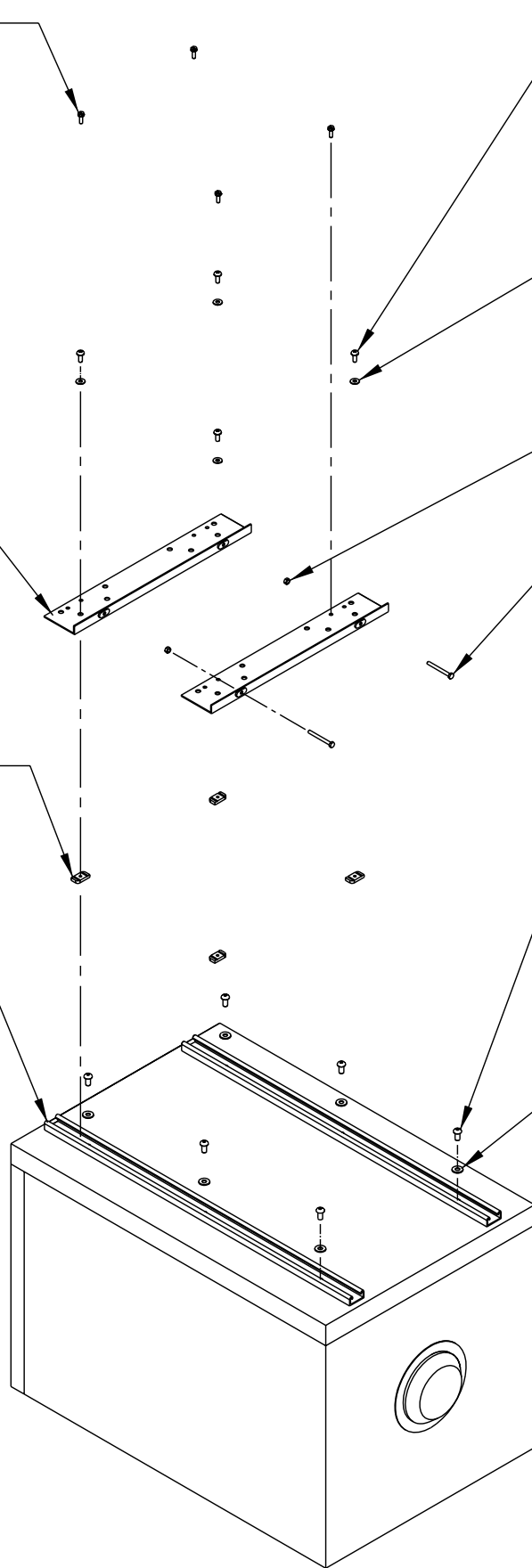
(2) 1/4"-20 x 2-1/2"  
Hex Head Cap Screw

(4) 5/16"-18 Clamping Nut

(6) M10 x 20 Metric  
Button Head Screws

(2) 34-1/2" Strut

(6) M10  
Flat Washer



# CSC Boiler Mounting Instructions

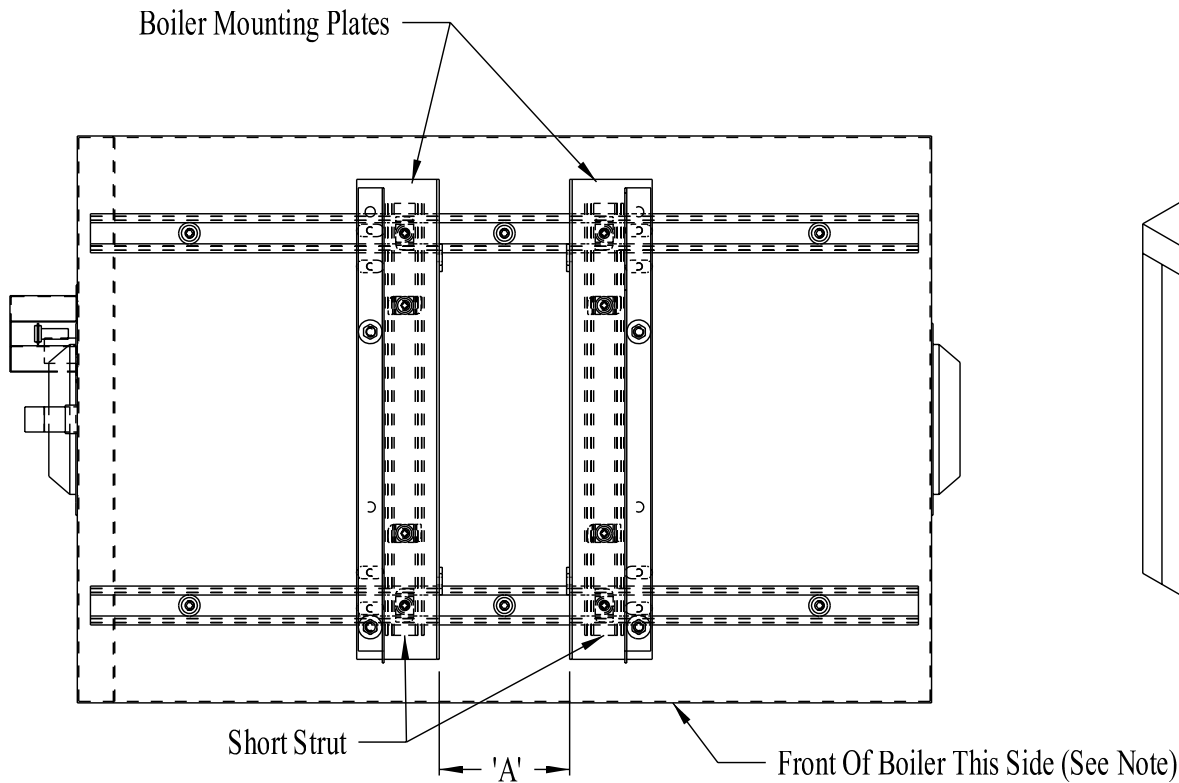


Figure 1

Model	'A'
CSC 50	5-7/16
CSC 75	8-3/16
CSC 100	10-15/16
CSC 125	13-5/8
CSC 150	16-3/8
CSC 175	19-1/16
CSC 200	21-13/16

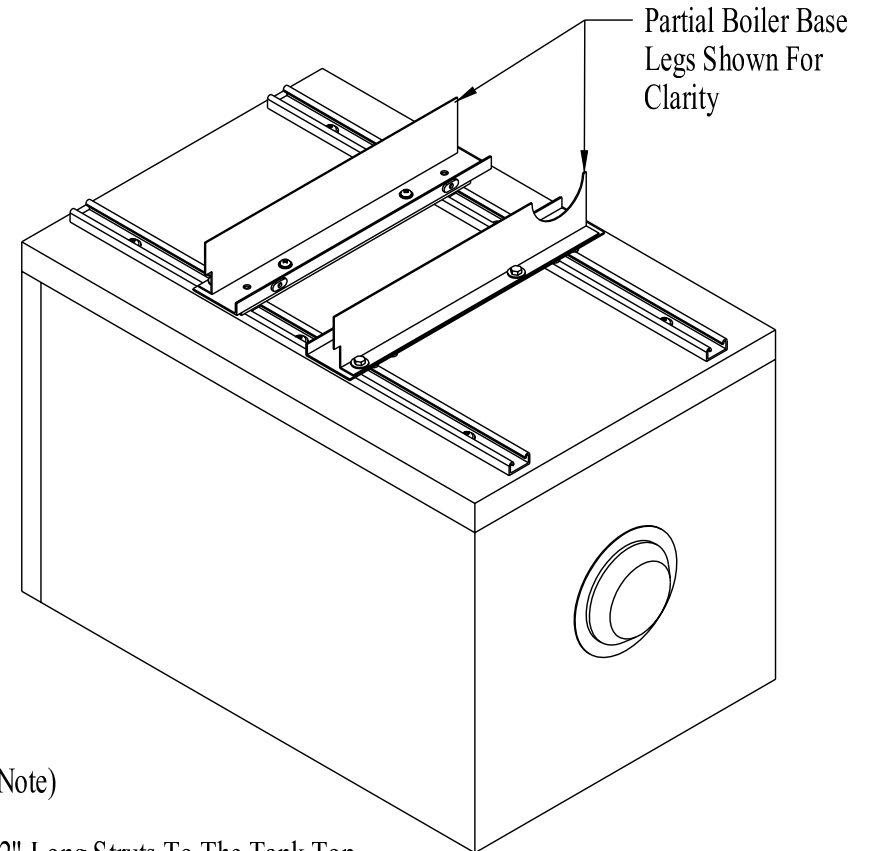
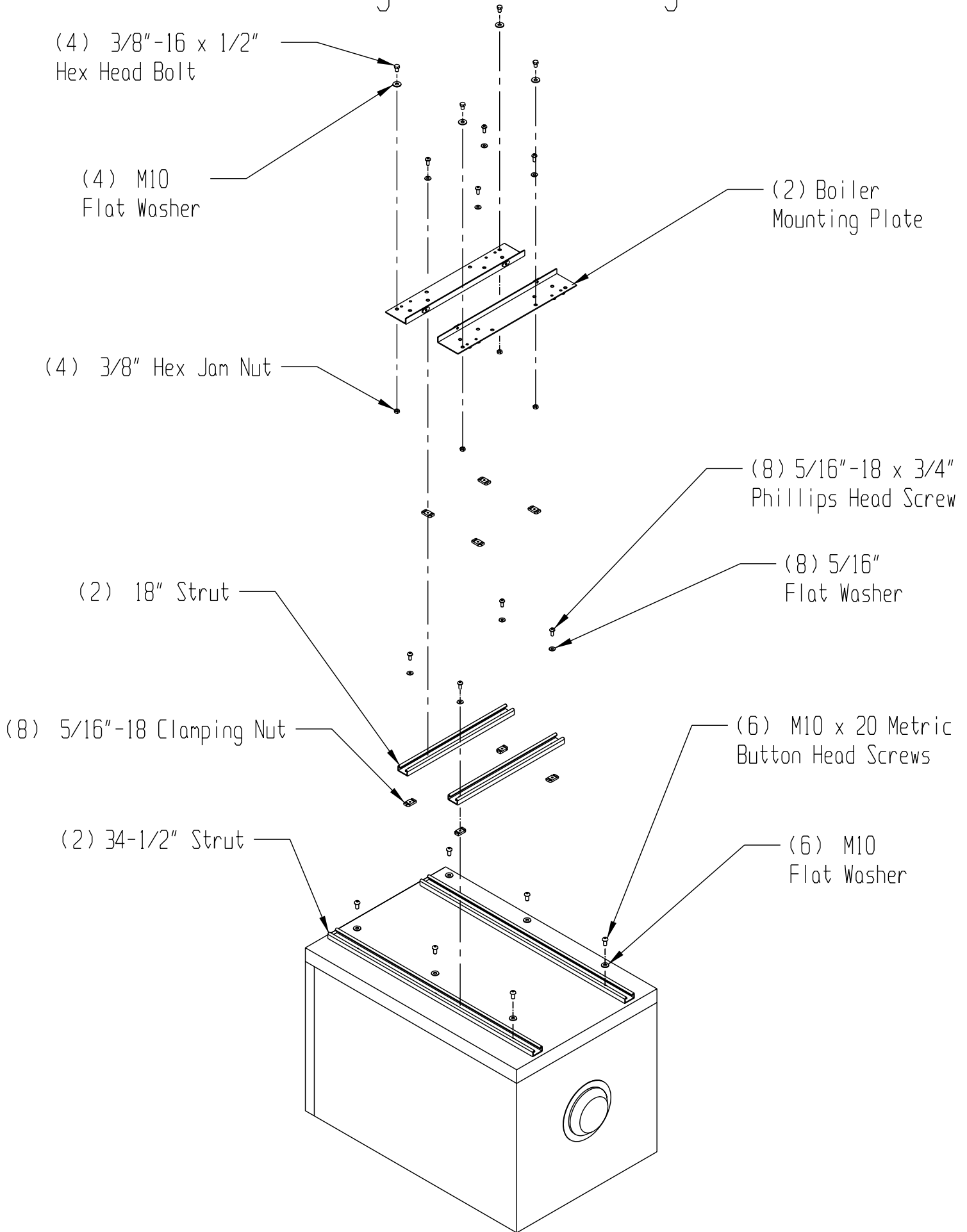


Figure 2

- (1) Fasten Both 34-1/2" Long Struts To The Tank Top.
- (2) Loosely Attach The 18" Short Struts To The Long Struts With 5/16-18 x 3/4" Phillips Screws And Clamping Nuts.
- (3) Fasten The Boiler Mounting Plates To The Short Struts Making Sure The Clearance Holes On The Plate Line Up With The Phillips Head Screws Underneath.
- (4) Set The Appropriate 'A' Dimension For The Boiler Mounting Plates And Fasten The Short Struts To The Long Struts As Shown In Figure 1.
- (5) Set The Boiler On The Mounting Plates With The Boiler Base Legs Positioned As Shown In Figure 2 And Attach With 3/8-16 x 1/2" Bolts, Nuts And Washers.

Note: Boiler May Be Rotated 180°

# CSC Mounting Hardware Configuration



# AWI / BWF Boiler Mounting Instructions

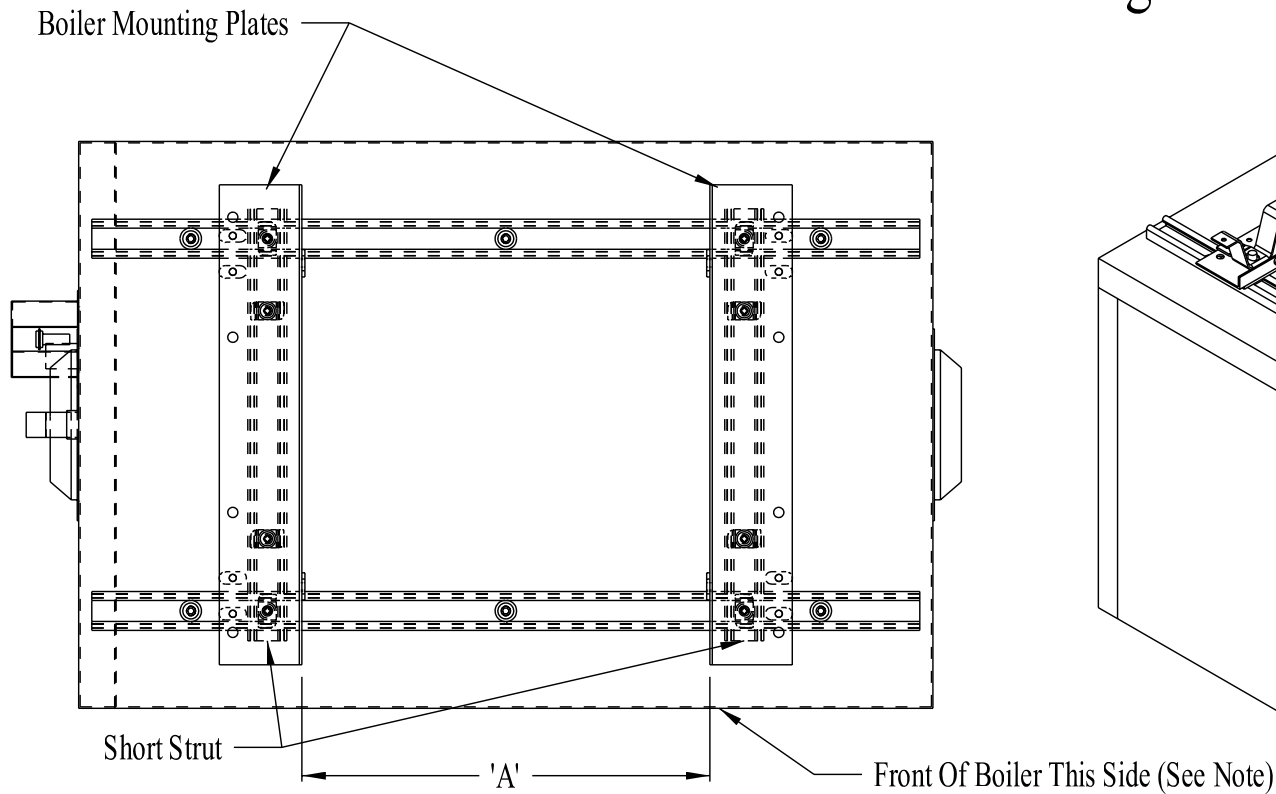


Figure 1

Model	'A'
AWI 037	6
AWI / BWF 061	7-1/4
AWI / BWF 095	10-1/2
AWI / BWF 128	13-3/4
AWI / BWF 162	17
AWI / BWF 195	20-1/4
AWI / BWF 229	23-1/2
AWI 262	26-3/4
AWI 295	30

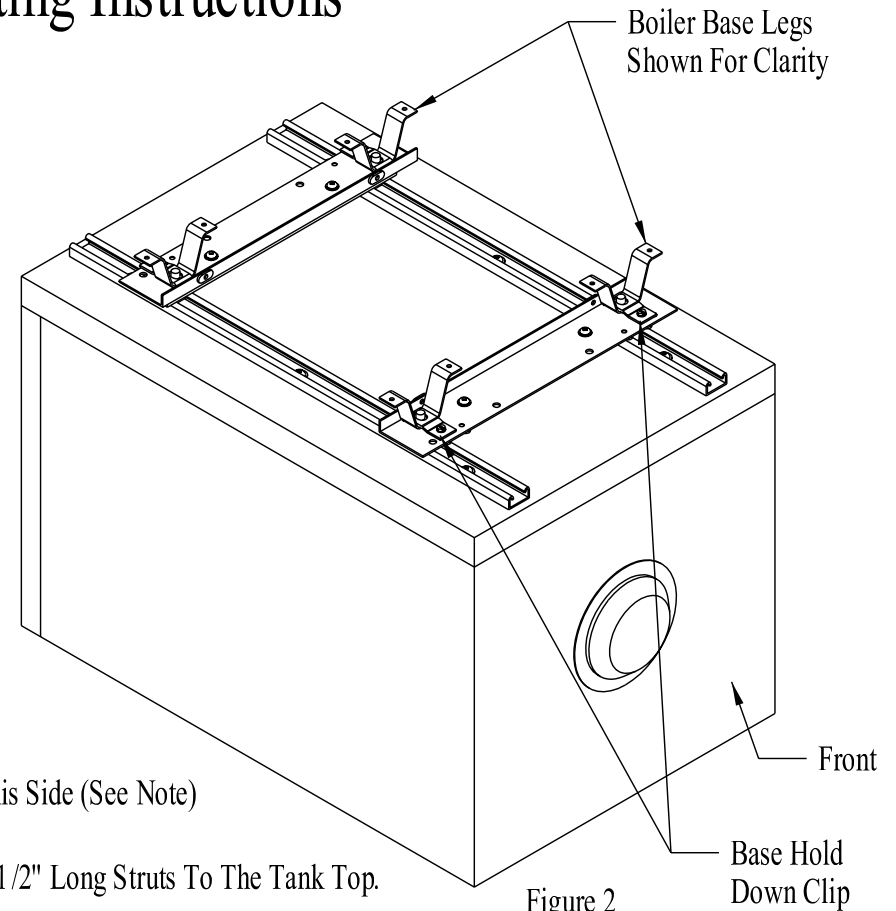


Figure 2

- (1) Fasten Both 34-1/2" Long Struts To The Tank Top.
- (2) Loosely Attach The 18" Short Struts To The Long Struts With 5/16-18 x 3/4" Phillips Screws And Clamping Nuts.
- (3) Fasten The Boiler Mounting Plates To The Short Struts Making Sure The Clearance Holes On The Plate Line Up With The Phillips Head Screws Underneath.
- (4) Set The Appropriate 'A' Dimension For The Boiler Mounting Plates And Fasten The Short Struts To The Long Struts As Shown In Figure 1.
- (5) Set The Boiler On The Mounting Plates With The Boiler Base Legs As Shown In Figure 2 And Fasten With The Boiler Hold Down Clips and 1/4 - 20 x 3/4" Slotted Hex Screws Also Shown In Figure 2.

Note: Boiler May Be Rotated 180°.

# AWI Mounting Hardware Configuration

(4) 1/4"-20 x 3/4" Slotted  
Hex Washer Head Screw

(4) Base Hold Down Clip

(2) Boiler  
Mounting Plate

(8) 5/16"-18 x 3/4"  
Phillips Head Screw

(8) 5/16"  
Flat Washer

(2) 18" Strut

(8) 5/16"-18 Clamping Nut

(6) M10 x 20 Metric  
Button Head Screws

(2) 34-1/2" Strut

(6) M10  
Flat Washer

