



D E S I G N E D T O L E A D

BWC Series

Concentric Vent Component Descriptions and Dimensional Data

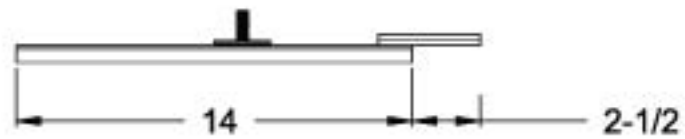
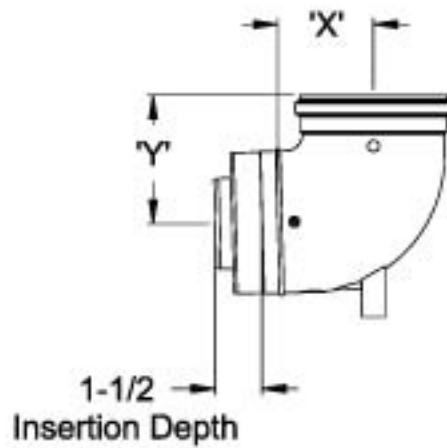
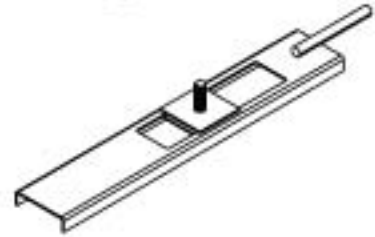
WARNING: Improper installation, adjustment, alteration, service or maintenance can cause property damage, injury, or loss of life. Use this venting only on Crown BWC Series boilers in accordance with the instructions provided with the boiler.



Manufacturer of Hydronic Heating Products
P.O. Box 14818 3633 I. Street
Philadelphia, PA 19134

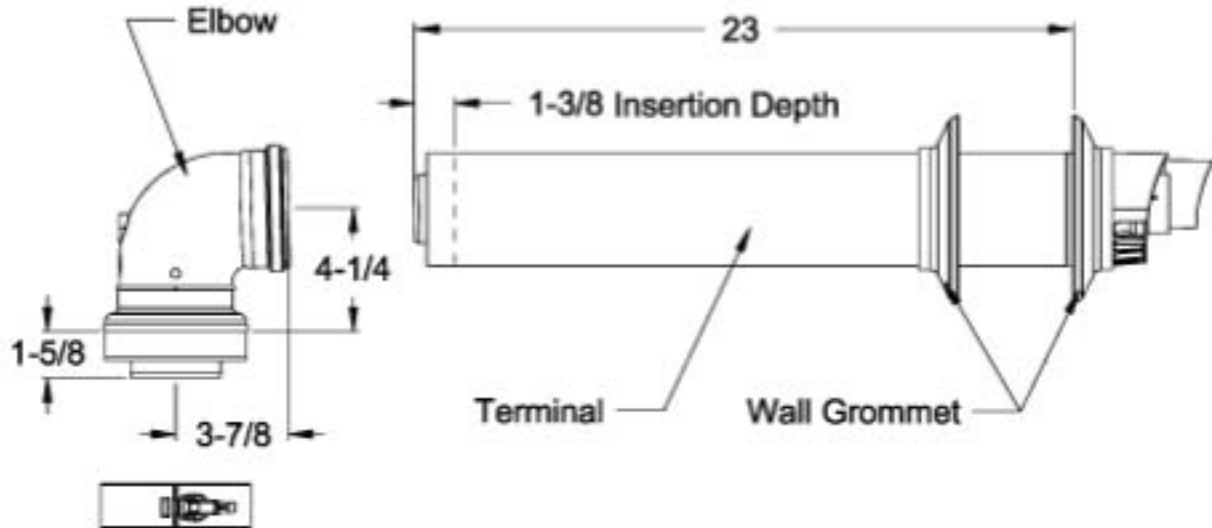
Tel: (215) 535-8900 • Fax: (215) 535-9736 • www.crownboiler.com

90° Support Elbow with Chimney Chase Bracket



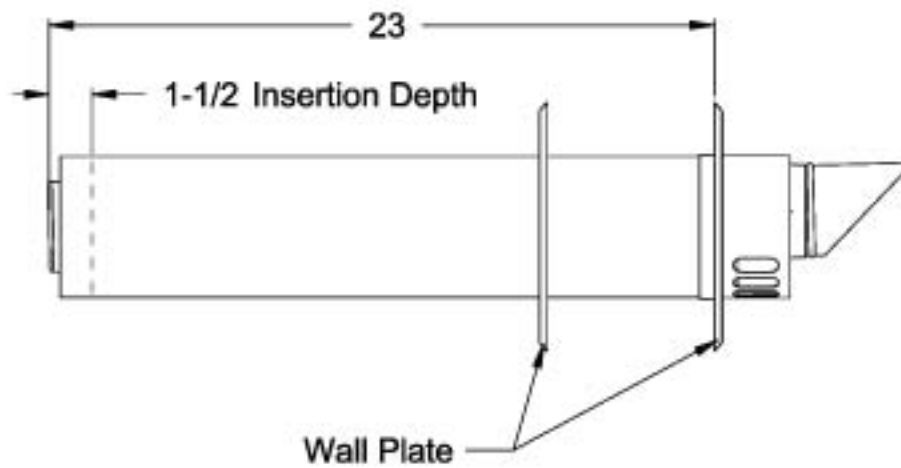
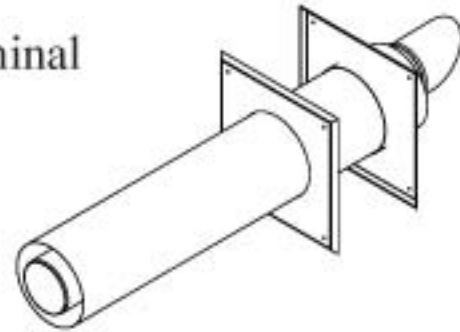
P/N	Vent Size	'X'	'Y'	Equivalent Length (ft.)
230530	80/125	7-3/8"	6-1/4"	8.5
230568	100/150	8-1/4"	7"	10.0

Horizontal Vent Terminal Kit



P/N	Description	Vent Size
230500	60/100 Horizontal Vent Kit	60/100
Includes:		
230521	80/125 x 60/100 Reducing Elbow	60/100
230520	Terminal	60/100
230522	Wall Grommet	60/100
 		
230580	80/125 Horizontal Vent Kit	80/125
Includes:		
230527	Elbow	80/125
230523	Terminal	80/125
230524	Wall Grommet	80/125

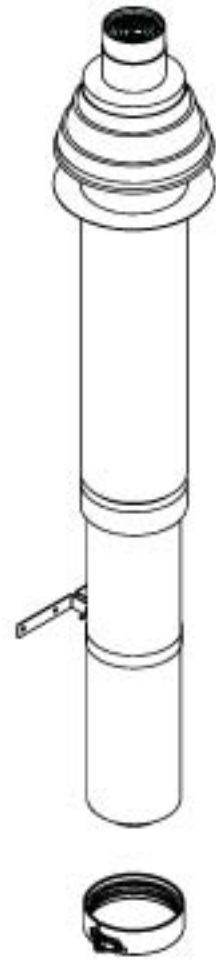
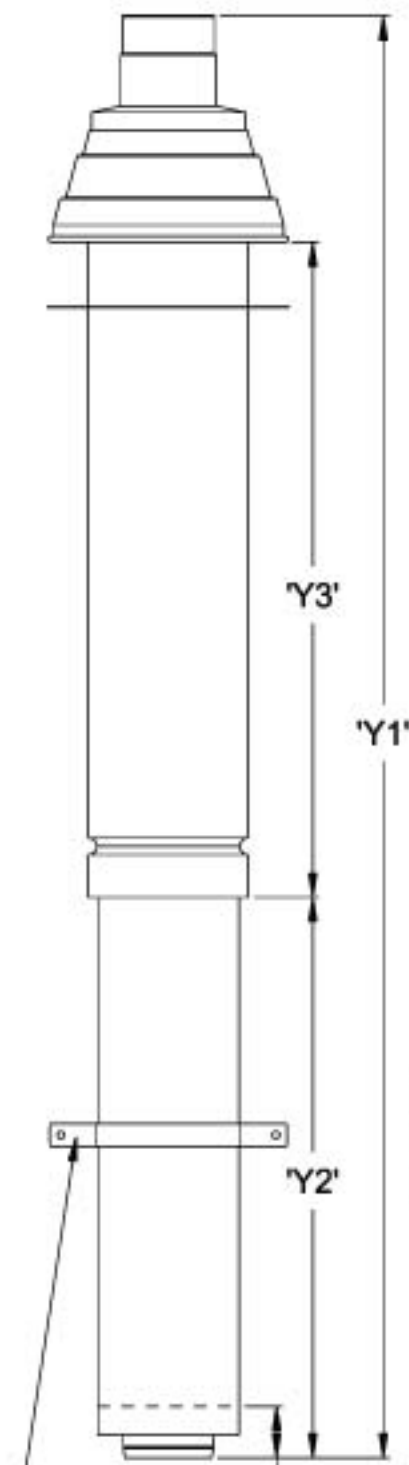
Horizontal Terminal



P/N	Vent Size
230531	80/125
230569	100/150

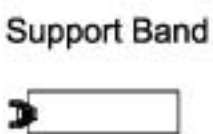
Note: Inner pipe is aluminum.

Vertical Terminal

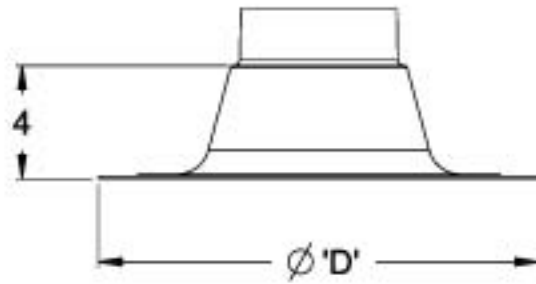
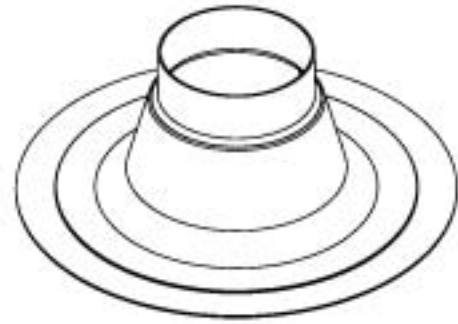


P/N	Vent Size	'Y1'	'Y2'	'Y3'
230532	80/125	50"	19-1/2"	23"
230570	100/150	61"	28"	23"

- Notes: 1. Requires flat or sloped roof flashing shown on following pages.
 2. Inner pipe is aluminum.

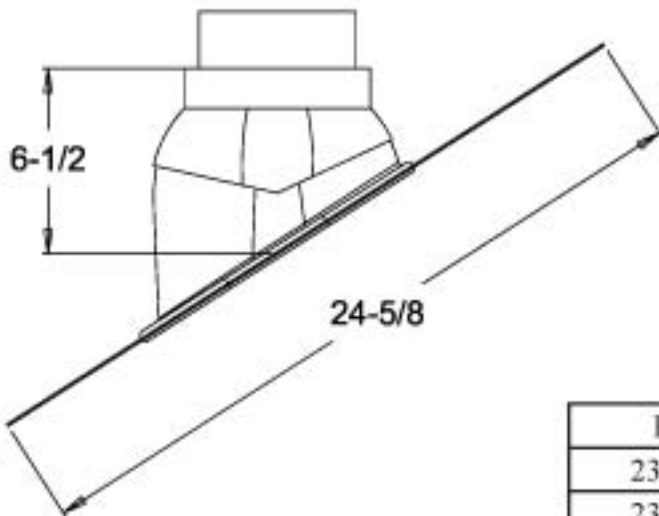
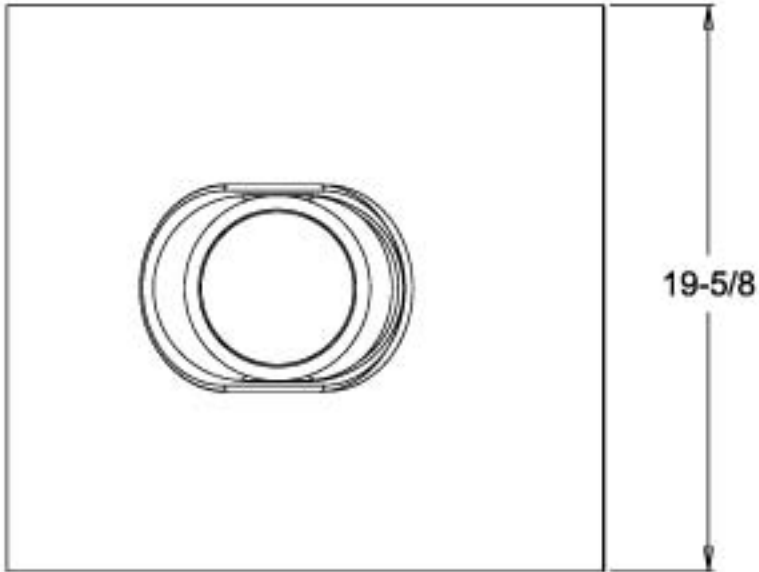
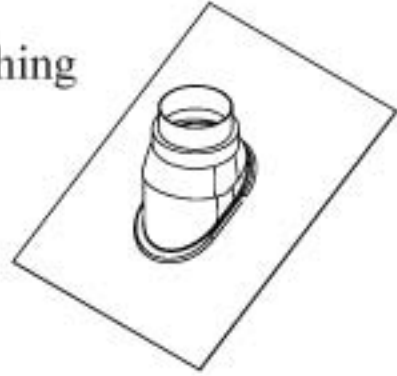


Flat Roof Flashing



P/N	Vent Size	'D'
230533	80/125	15-3/8"
230571	100/150	17"

25°-45° Sloped Roof Flashing



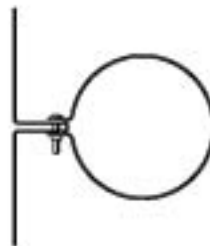
P/N	Vent Size
230535	80/125
230572	100/150

Locking Band



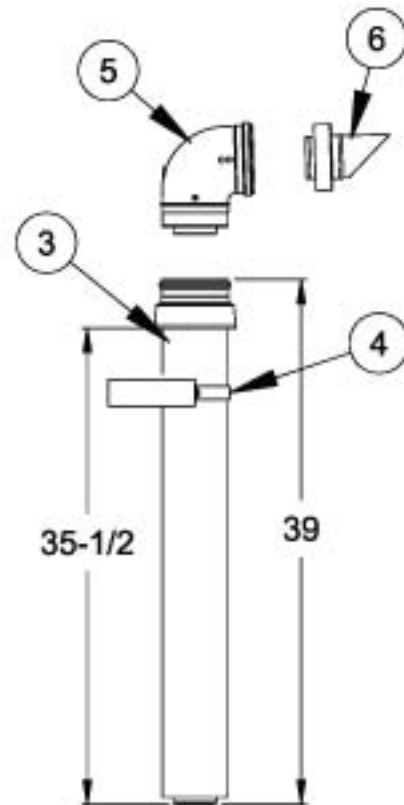
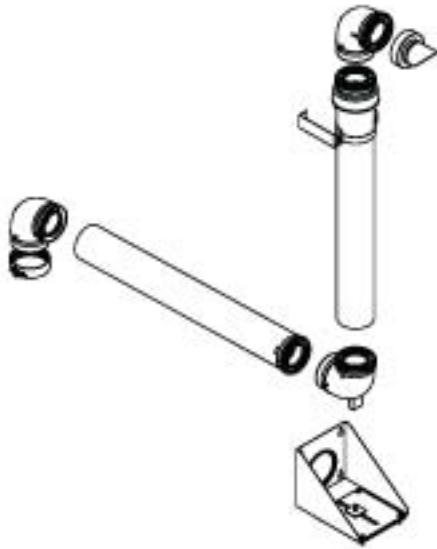
P/N	Vent Size
230538	60/100
230537	80/125
230574	100/150

Support Band

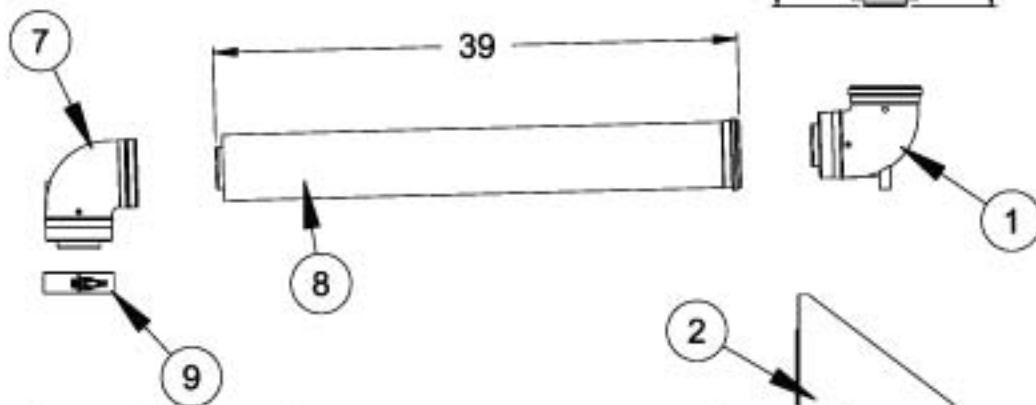


P/N	Vent Size
230536	80/125
230573	100/150

80/125 Snorkel Kit



P/N	Description
230540	80/125 Snorkel Kit

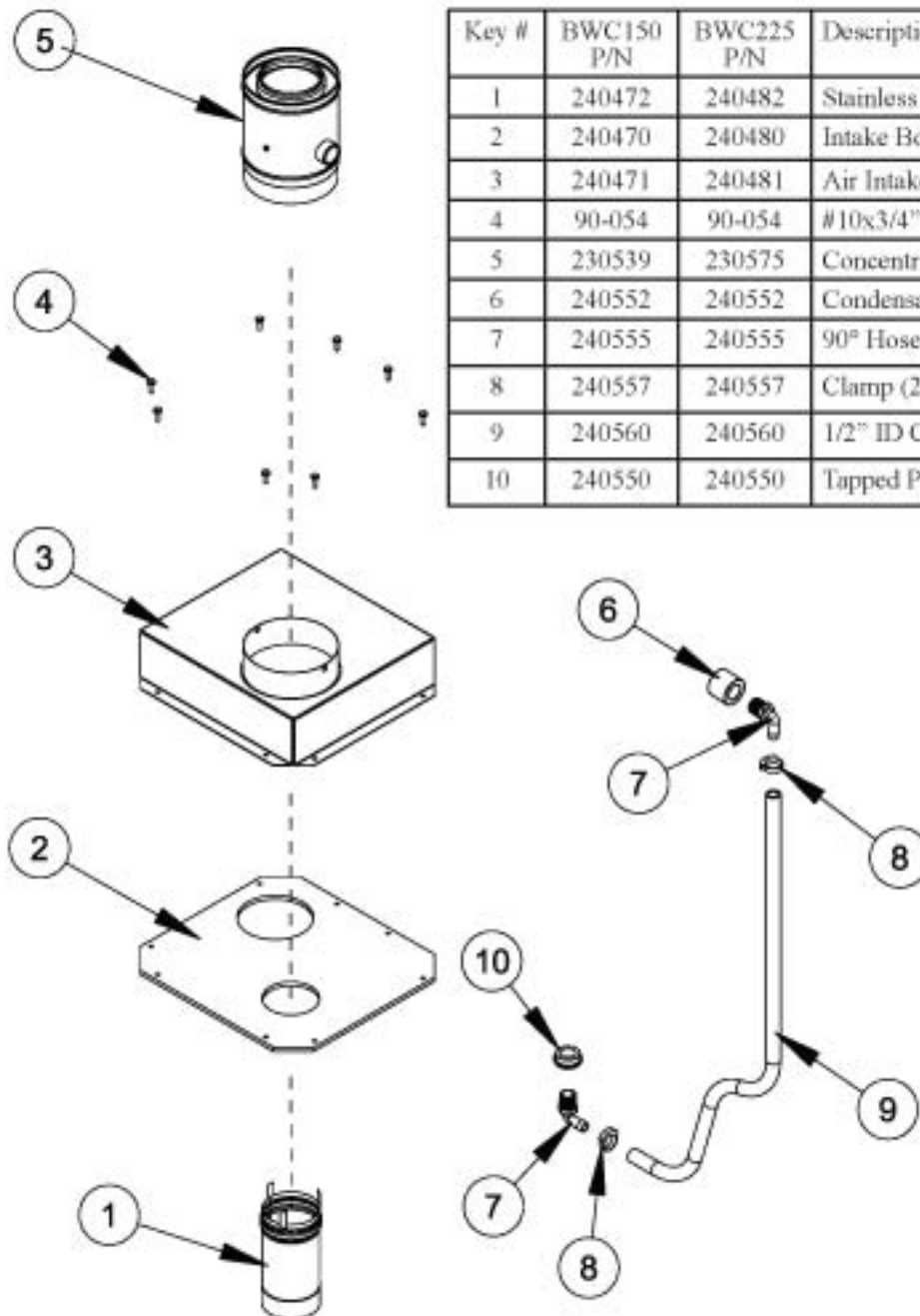


Key #	P/N	Description
1	230541	Support Elbow
2	230542	Lower Wall Bracket
3	230543	Air Intake Section
4	230544	Wall Bracket
5	230545	Terminal Elbow
6	230546	Exhaust Terminal
7	230527	Standard Elbow
8	230547	Wall Penetration Section
9	230537	Locking Band
*	230548	Outer Joint Gasket (2 provided)

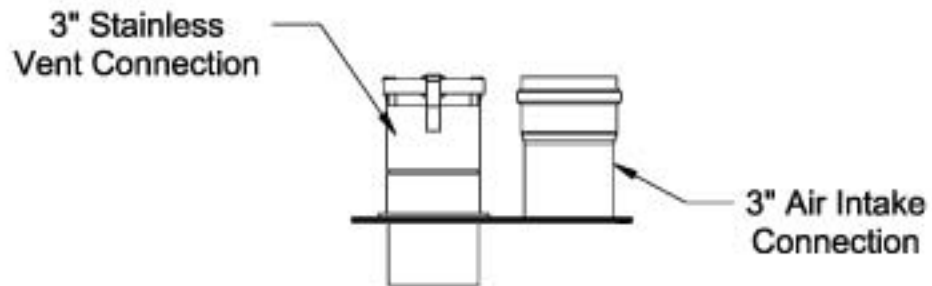
Concentric Vent Adapter Kit (BWC150/225 Boilers)

P/N	Concentric Vent Adapter Kit	Vent Size
230550	BWC150	80/125
230555	BWC225	100/150

Key #	BWC150 P/N	BWC225 P/N	Description
1	240472	240482	Stainless Vent Adapter
2	240470	240480	Intake Box Gasket
3	240471	240481	Air Intake Box
4	90-054	90-054	#10x3/4" Sheet Metal Screw
5	230539	230575	Concentric Condensate Collector
6	240552	240552	Condensate Collector Adapter
7	240555	240555	90° Hose Barb (2)
8	240557	240557	Clamp (2)
9	240560	240560	1/2" ID Clear Poly Tubing
10	240550	240550	Tapped Plug



Stainless Steel Vent Collar Kit (BWC070, 090 & 120)



P/N	Description
230510	Stainless Steel Vent Collar Kit

Note: Used on BWC070-120 in place of concentric collar provided on boiler (see manual).



Manufacturer of Hydronic Heating Products

P.O. Box 14818 3633 I. Street

Philadelphia, PA 19134

Tel: (215) 535-8900 • Fax: (215) 535-9736 • www.crownboiler.com

PN: 980240
10/10

TABLE OF CONTENTS

Cutable Straight	1
Non-Cutable Straight	2
Telescoping Straight	3
45° Elbow	4
90° Standard Elbow	5
90° Sweep Elbow	6
90° Support Elbow with Chimney Chase Bracket	7
60/100 Horizontal Vent Kit	8
Horizontal Terminal	9
Vertical Terminal	10
Flat Roof Flashing	11
25°- 45° Sloped Roof Flashing	12
Locking Band	13
Support Band	13
80/125 Snorkel Kit	14
Concentric Vent Adapter Kit for BWC150/225 Boilers	15
Stainless Steel Vent Collar Kit (BWC070, 090 & 120)	16

Important Notes for all Components:

- 1) "Vent Size" denotes nominal inner and outer pipe diameters in millimeters. For example "80/125" concentric components have an 80mm diameter inner pipe and a 125mm diameter outer pipe.
- 2) Dimensions shown are rounded as follows:
 - a. Overall lengths (Dimensions 'L') are rounded to the nearest 1/2"
 - b. All other dimensions are rounded to the nearest 1/8"

Cuttable Straight

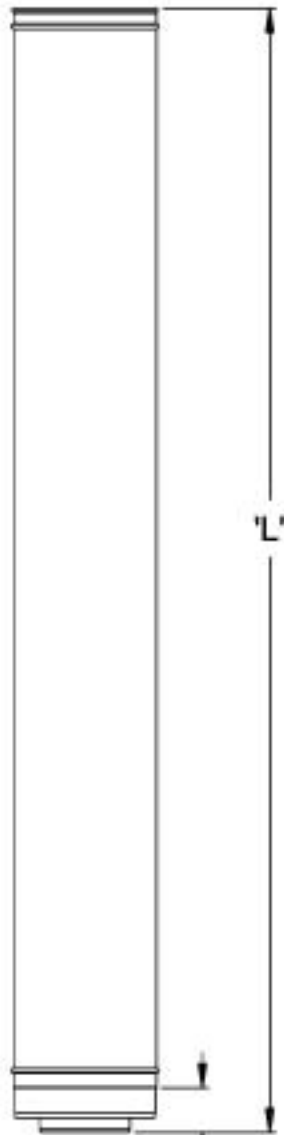


P/N	Vent Size	'L'
230506	60/100	19-1/2"
230517	80/125	19-1/2"
230515	80/125	39"
230560	100/150	19-1/2"
230562	100/150	39"

Note: Cut from male end only.

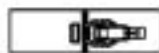


Non-Cuttable Straight

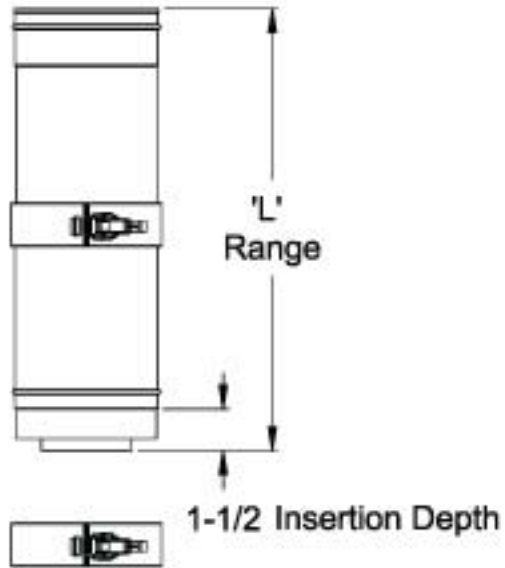


P/N	Vent Size	'L'
230505	60/100	39"
230504	60/100	78"
230518	80/125	39"
230519	80/125	78"
230561	100/150	39"
230563	100/150	78"

1-1/2 Insertion Depth

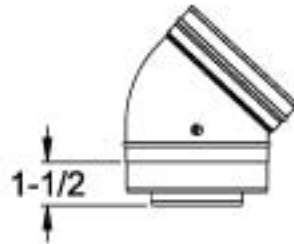


Telescoping Straight

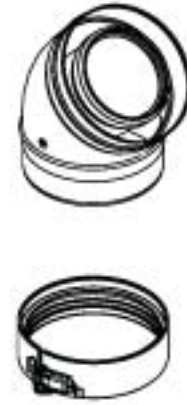


P/N	Vent Size	'L' Range
230525	80/125	12-1/2" to 16-1/2"
230564	100/150	12-1/2" to 17-1/2"

45° Elbow

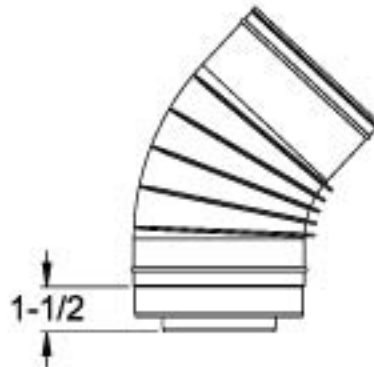


Insertion Depth

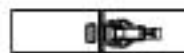


P/N	Vent Size	Equivalent Length (ft.)
230508	60/100	4.0
230526	80/125	3.0

45° Elbow

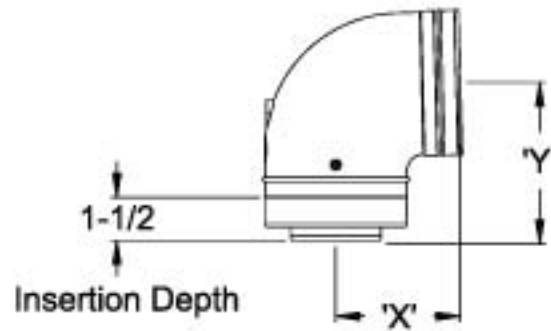


Insertion Depth



P/N	Vent Size	Equivalent Length (ft.)
230565	100/150	3.0

90° Standard Elbow

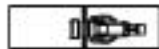
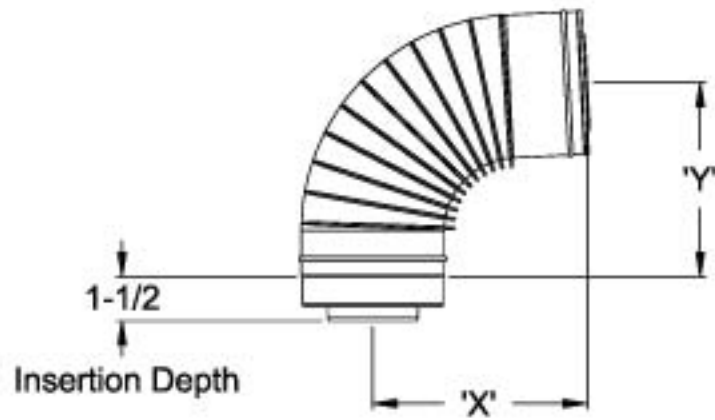


P/N	Vent Size	'X'	'Y'	Equivalent Length (ft.)
230507	60/100	4"	4-3/4"	4.5
230527	80/125	4-3/8"	5-3/8"	8.5
230566*	100/150	4-1/2"	5-1/2"	10.0

* Non-Stock Item

Note: Use of 230566 should be avoided due to high equivalent length. Use 100/150mm Sweep Elbow (230567) instead.

90° Sweep Elbow



P/N	Vent Size	'X'	'Y'	Equivalent Length (ft.)
230528	80/125	7-3/8"	6-1/4"	5.5
230567	100/150	8-1/4"	7"	8.0