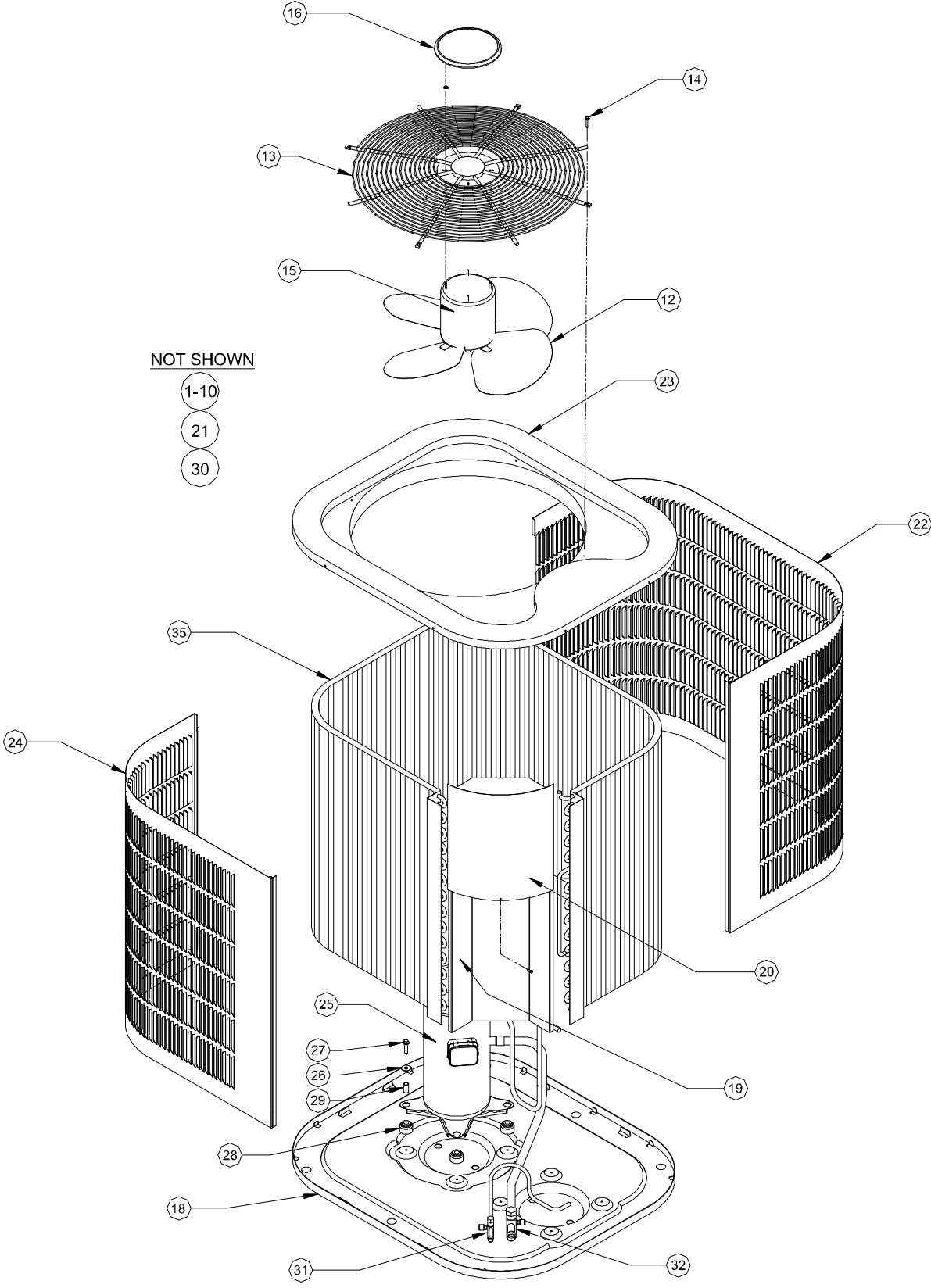


# PARTS LIST AND SPECIFICATIONS

## 4AC13\*ASA1 SERIES CONDENSING UNITS



## FUNCTIONAL PARTS LIST

This parts list promotes easy identification of 13 SEER condenser parts and part numbers.

To use this parts list, locate the part you need in the illustration on the front cover and note the illustration number. Find the illustration number in the far- left column of the parts list. Read across the list to locate the part number for the appropriate size condenser.

**EXAMPLE:** You need a compressor for a 5 Ton (4AC13060ASA1) condensing unit:

1. Find the compressor in the illustration and get the illustration number. (In this case 25).
2. Go to the table and read down to illustration number 25.
3. Read across the row to find the part number for the 5.0 Ton condensing unit (4AC13060ASA1).
4. Read part number 814307.

UNIT MODEL NUMBER		4AC13018ASA1		4AC13024ASA1		4AC13030ASA1		4AC13036ASA1		4AC13042ASA1		4AC13048ASA1		4AC13060ASA1	
No	Description	Part No.	Qty.	Part No.	Qty.	Part No.	Qty.	Part No.	Qty.	Part No.	Qty.	Part No.	Qty.	Part No.	Qty.
<b>CONTROLS GROUP</b>															
1	Control Box Assembly	-		-		-		-		-		-		-	
2	Contactora	811010	1	811010	1	811010	1	811010	1	811010	1	811011	1	811011	1
3	Dual Capacitor	814175	1	814171	1	814171	1	814176	1	814176	1	814177	1	814178	1
4	Ground Lug	814110	1	814110	1	814110	1	814110	1	814110	1	814110	1	814110	1
5	High Pressure Switch	-		-		-		-		-		-		-	
6	Low Pressure Switch	-		-		-		-		-		-		-	
7	Start Assist	-		-		-		-		-		-		-	
8	Start Capacitor	-		-		-		-		-		-		-	
9	Start Relay	-		-		-		-		-		-		-	
10	Wire Harness (Compressor)	814080	1	814080	1	814080	1	814080	1	814080	1	814080	1	814080	1
<b>FAN GROUP</b>															
11	Fan Assembly	812001	1	812001	1	812001	1	812002	1	812002	1	812002	1	812003	1
12	Fan Blade	812021	1	812021	1	812021	1	812022	1	812022	1	812022	1	812023	1
13	Fan Grille	812030	1	812030	1	812030	1	812031	1	812031	1	812031	1	812031	1
14	Fan Grille Bolts	812080	6	812080	6	812080	6	812080	4	812080	4	812080	4	812080	4
15	Fan Motor	812041	1	812041	1	812041	1	812142	1	812042	1	812042	1	812043	1
16	Plastic Fan Grille Cover	812050	1	812050	1	812050	1	812050	1	812050	1	812050	1	812050	1
<b>CASING GROUP</b>															
17	Casing Assembly	-		-		-		-		-		-		-	
18	Base Pan	813010	1	813010	1	813010	1	813010	1	813010	1	813010	1	813010	1
19	Electrical Panel	813040	1	813041	1	813041	1	813042	1	813042	1	813042	1	813043	1
20	Electrical Panel Cover	813051	1	813051	1	813051	1	813051	1	813051	1	813051	1	813051	1
21	Electrical Panel Grommet	814130	1	814130	1	814130	1	814130	1	814130	1	814130	1	814130	1
22	Long Louver Panels	813131	1	813132	1	813132	1	813133	1	813133	1	813133	1	813134	1
23	Plastic Top	813020	1	813020	1	813020	1	813021	1	813021	1	813021	1	813021	1
24	Short Louver Panels	813060	1	813061	1	813061	1	813062	1	813062	1	813062	1	813063	1



# SPECIFICATIONS

## Electrical Specifications

Model Number	Phase	Freq. (Hz)	Voltage	Compressor		Fan Motor Full Load Amps	Minimum Circuit Amperes	Max Fuse/HACR Circuit Breaker
				Rated Amperes (RLA)	Locked Amperes (LRA)			
4AC13018ASA1	1	60	208/230	10	48	0.8	13.3	20
4AC13024ASA1	1	60	208/230	14.3	58.3	0.8	18.7	30
4AC13030ASA1	1	60	208/230	14.3	64	0.8	18.7	30
4AC13036ASA1	1	60	208/230	18.6	79	1.5	24.8	40
4AC13042ASA1	1	60	208/230	20	112	1.5	26.5	45
4AC13048ASA1	1	60	208/230	24.3	117	1.5	31.9	50
4AC13060ASA1	1	60	208/230	29.4	134	1.8	38.6	60

## Unit Specifications

Nominal Tonnage	1.5	2	2.5	3	3.5	4	5
Model Number	4AC13018ASA1	4AC13024ASA1	4AC13030ASA1	4AC13036ASA1	4AC13042ASA1	4AC13048ASA1	4AC13060ASA1
Rated BTUH	18000	24000	28400	35000	40000	47000	59000
SEER	13	13	13	13	13	13	13
Compressor Type	Compliant Scroll						
Compressor Manufacturer	Copeland						
Condensing Coil	All Aluminum Plate-Fin Round Tube Design						
Liquid Line Connection	3/8"	3/8"	3/8"	3/8"	3/8"	3/8"	3/8"
Suction Line Connection	3/4"	3/4"	3/4"	3/4"	7/8"	7/8"	7/8"
Refrigerant	R-410a	R-410a	R-410a	R-410a	R-410a	R-410a	R-410a
Refrigerant Charge/Oz.	72	76	80	84	88	92	100
Cabinet	Fully Louvered Galvanized Steel with Powder Coat Protection						