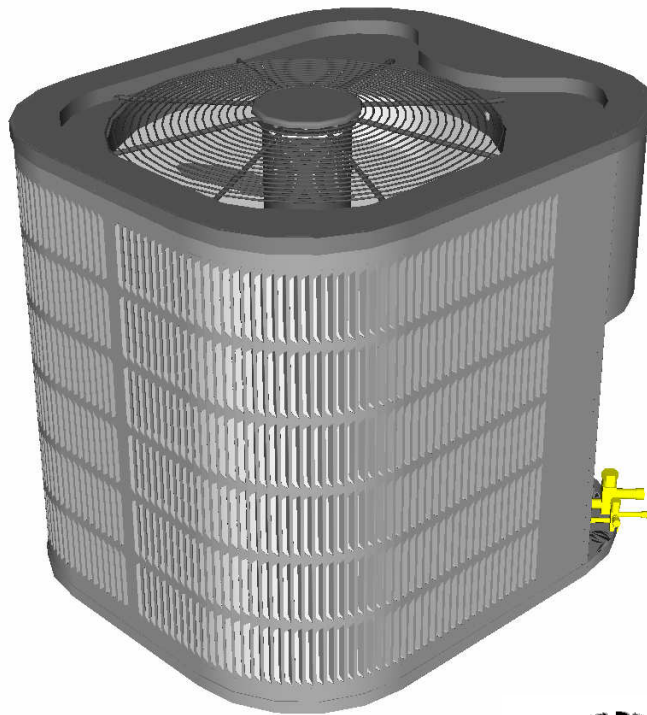


INSTALLER'S INFORMATION MANUAL

4AC13*ASA1 SERIES CONDENSING UNITS



OZONE FRIENDLY
R-410A
REFRIGERANT



ATTENTION, INSTALLER! After installing the system, show the user how to turn off electricity to the unit. Point out control and switch locations for turning off electricity. Make sure the user understands the importance of following all safety precautions, including what could happen if they don't.

Keep the following documents in a safe, accessible location. Tell the user where these documents are located:

- Installer's Information Manual
- Parts List
- Warranty Information

While these instructions have been written as accurately and thoroughly as possible, they may not cover every system variation or contingency. Questions of interpretation may arise. For more information, solutions to particular problems or clarification, contact your local distributor or the manufacturer.

ATTENTION, USER! Your equipment installer should give you the important documents listed above. You should become familiar with these instructions, as it will be helpful in avoiding any needless service costs or operational problems. Keep these instructions as long as you keep your equipment for future reference. If any of the documents are missing or illegible, contact your installer or equipment manufacturer for replacement.

Throughout this manual, when we use the word "you" we refer to the qualified service technician who is responsible for application, installation and service of your equipment.

While these instructions are addressed primarily to the installer, useful maintenance information is included. Have your installer acquaint you with the operating characteristics of the product and periodic maintenance requirements.



WARNING: Individuals who install this equipment, must have the training and experience necessary to install comfort air conditioning appliances. Before performing any work on this equipment, the power supply must be turned off at the household service box. Improper installation could void the warranty; create a hazard, resulting in the possibility of damage, injury or death.

TABLE OF CONTENTS


SECTION 1.	GENERAL INFORMATION	2
SECTION 2.	MEETING CODES	3
SECTION 3.	DETERMINING CONDENSER LOCATION	3
SECTION 4.	REFRIGERANT PIPING CONNECTIONS	4
SECTION 5.	ELECTRICAL CONNECTION	5
SECTION 6.	REFRIGERANT CHARGE	6
SECTION 7.	CHECKOUT PROCEDURE	7
SECTION 8.	MAINTENANCE	7
SECTION 9.	TROUBLE-SHOOTING CHART	9

SECTION 1. GENERAL INFORMATION

These instructions cover the installation of the following split system 13 SEER condensing unit. The dimensions are illustrated in Figure 1. Physical and electrical specifications are provided in Table 2.

Read this manual and any instructions packaged with separate equipment required to make up the system prior to installation.

The outside unit is designed to be placed alongside or at the back of the home, remote from the indoor coil. The outdoor unit has been factory run-tested and all components of the system are ready for easy, immediate installation.




WARNING: These instructions are intended as an aid to licensed service personnel. Improper installation may damage equipment, void the warranty, and can create a hazard, resulting in injury or death.

A thorough inspection of the shipping container should be made immediately upon receiving your unit. Look for any punctures or openings, and if it appears that damage has occurred, it should be noted on the freight bill before signing. The delivering carrier should be contacted immediately to inspect damage, and no installation work should begin until this inspection is completed. The manufacturer assumes no responsibility for installation of incorrectly shipped units.

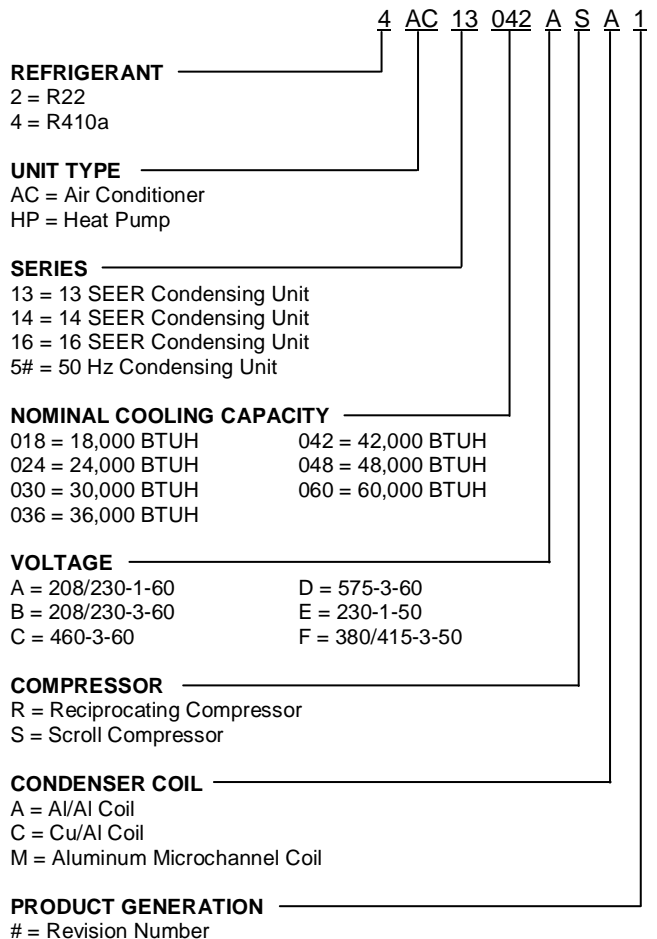
To alert you to potential hazards, we use the signal words "WARNING" and "CAUTION" throughout this manual. "WARNING" alerts you to situations that could cause or result in serious injury or death. "CAUTION" alerts you to situations that could cause or result in minor or moderate injury or property damage. For a safe and reliable installation be sure to read and follow all warnings and cautions.

We also use the words "must" and "should" in this manual. "Must" is mandatory. "Should" is advisory.



CAUTION: The manufacturer is not responsible for the performance of a mismatched system. The outdoor unit must be installed with a compatible indoor unit as designated in the specification data or in the Directory of Certified Unitary Air Conditioners published by the Air Conditioning and Refrigeration Institute. Using unmatched components may not only affect the performance of the system but may also void the warranty of the equipment

SERIES NOMENCLATURE



MODEL	A	B	C
4AC13018ASA1	31.25"	36.25"	16.5"
4AC13024ASA1	31.25"	36.25"	20.5"
4AC13030ASA1	31.25"	36.25"	20.5"
4AC13036ASA1	31.25"	36.25"	24.5"
4AC13042ASA1	31.25"	36.25"	24.5"
4AC13048ASA1	31.25"	36.25"	24.5"
4AC13060ASA1	31.25"	36.25"	28.5"

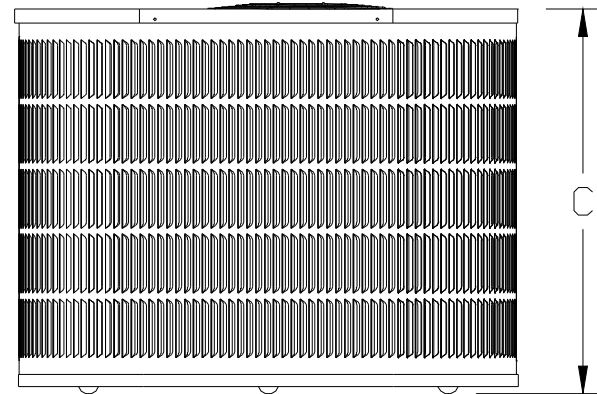
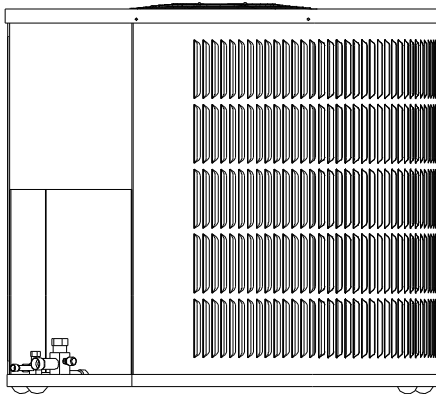
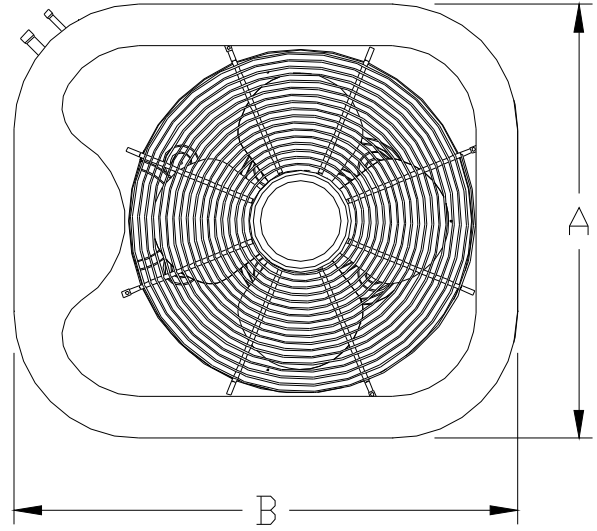


Figure 1. Condenser Dimensions

SECTION 2. MEETING CODES

Before installing this equipment, make sure you know all applicable codes. Installation shall be made in accordance with the applicable National Electric Code, local codes and recommendations made by the National Board of Fire Underwriters, or authorities having jurisdiction.



CAUTION: The United States Environmental Protection Agency (EPA) has issued various regulations regarding the introduction and disposal of refrigerants in this unit. Failure to follow these regulations may harm the environment and can lead to the imposition of substantial fines. Because regulations may vary due to passage of new laws, we suggest a certified technician perform any work done on this unit. Should you have any questions please contact the local office of the EPA.

Electrical wiring must conform with local building codes or in the absence of local codes, with the current National Electrical Code, ANSI/NFPA 70 and/or current Canadian Electrical Code, CSA C22.1.

SECTION 3. DETERMINING CONDENSER LOCATION

Several important factors must be considered before selecting the site for the outdoor unit:

- Distance to indoor coil
- Ability to service
- Proximity to the structure
- Proximity to vents and exhaust systems
- Air circulation
- Sound transmission
- Wind direction
- Relationship between structure, sun, and unit
- Distance from power source
- Water drainage
- Local codes

Locating the condenser as close as possible to the evaporator will avoid lengthy refrigerant line runs and will increase the system capacities. Do not locate the outdoor unit so it discharges air under eaves or gutters. Rain or snow melt-off should not be able to run off a roof and down upon the unit. Be sure vents are not located upwind from the outdoor unit.

A minimum clearance of 18 inches is required for service at the control panel access. A 12 inch clearance is required for the air inlet to the outdoor coil around the perimeter of the unit. The air discharge of the unit requires a 60 inch clearance between the top of the unit and any obstruction. See Figure 2.

The length of the refrigerant tubing, between the outdoor unit and indoor coil, should be as short as possible to avoid capacity and efficiency loss. Excessive spacing of the outdoor unit from the home can lead to the refrigerant lines being restricted by trampling or by being punctured by lawn mowers. Locate the outdoor unit away from bedroom windows or other rooms where sound might not be desirable.

Provide sufficient clearance from shrubs to allow adequate air to pass across the outdoor coil without leaves or branches being pulled into the coil.

Consideration should be given to the distance and routing of electrical service that would have to be run to connect the outdoor unit.

The outdoor unit may be installed at ground level on a solid base that will not shift or settle, causing strain on the refrigerant lines and possible leaks. Isolate the base from the structure to avoid noise or vibration transmission. When installing units on a roof, a structure should be used to minimize the transmission of sound or vibration into the conditioned space. Thought should be given to water drainage away from the outdoor unit. Drain holes in the base pan must be kept clear.

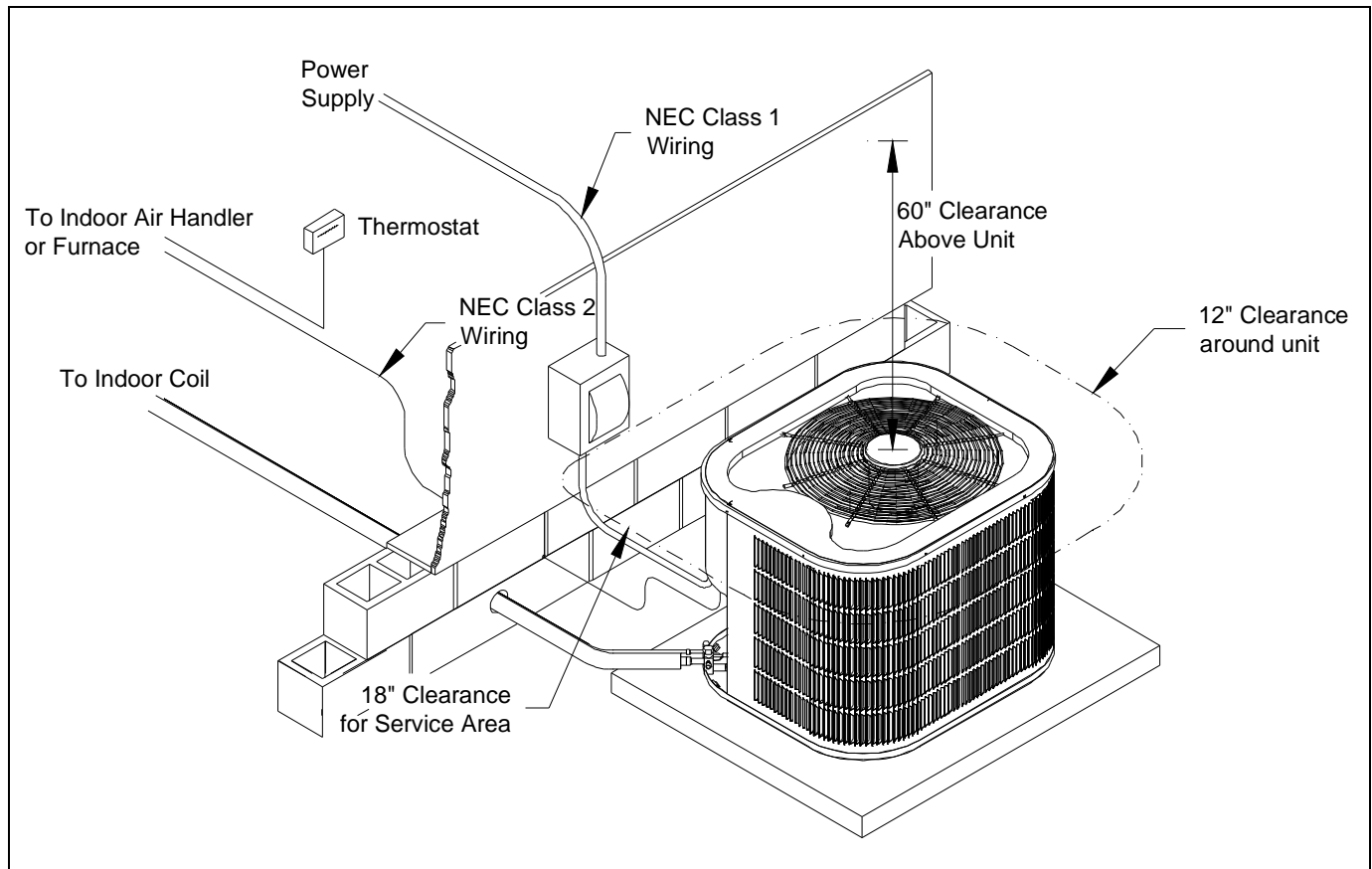


Figure 2. Typical Location and Clearances

SECTION 4. REFRIGERANT PIPING CONNECTIONS

Undersized line sets will increase the refrigerant pressure drop between the indoor evaporator and outdoor unit, resulting in a decrease in system capacity. Over sizing the line sets may result in excessive refrigerant charge, thereby making the system more susceptible to liquid migration. Slope horizontal vapor lines at least 1" every 20 feet toward the outdoor unit to facilitate proper oil return.

Use only refrigerant grade (dehydrated and sealed) copper tubing of the size indicated in Table 1 to interconnect the condensing unit with the indoor evaporator. Take extreme

care to keep the refrigerant tubing clean and dry prior to and during installation. All outdoor unit and evaporator coil connections are copper to copper and should be brazed with a phosphorous-copper alloy material such as Silfos-5 or equivalent instead of soft solder. The outdoor units have re-usable service valves on both the liquid and vapor connections. Precautions should be taken to prevent heat damage to the valve by wrapping a wet rag around it when brazing.

Do not remove plugs from ends of tubing until connection is ready to be made. Suction line insulation is necessary to prevent condensation from forming on and dropping from suction line. Apply suction line insulation by sliding it on the sealed tubing before cutting and making connections. See Table 1 for correct vapor line size.

Table 1. Vapor line sizing chart

Model	Total Length (ft)		
	15-25	26-50	51-75
4AC13018	3/4"	3/4"	3/4"
4AC13024	3/4"	3/4"	3/4"
4AC13030	3/4"	3/4"	3/4"
4AC13036	3/4"	3/4"	7/8"
4AC13042	7/8"	7/8"	1-1/8"
4AC13048	7/8"	7/8"	1-1/8"
4AC13060	7/8"	1-1/8"	1-3/8"

- For lengths greater than 75ft, contact factory.
- All models use 3/8" liquid line, unless otherwise stated.

BRAZING JOINTS

CAUTION: Extreme care should be used when brazing joints. Keep torch away from condenser cabinet, aluminum coil and plastic top.

1. Remove the valve core from the Schrader port. Wrap a wet rag around the valve body and copper stub before brazing.
2. Flux the copper tube and the stub with silphos rod containing at least 10% silver. Braze the joint, and then use a second wet rag to cool joint before removing first rag wrapped around service valve.
3. Replace the valve core to the Schrader port.
4. All joints and fittings must be properly leak tested at all braze joints as per EPA guidelines.

NOTE: Do not use air to leak test braze joints. Dry nitrogen should be used.

5. Purge and evacuate the lines to 29.96" Hg (1000 microns) or lower when all joints and fittings are leak free.
6. This is not a back-seating valve. To open the valve cap, use an adjustable wrench. To open the valve, insert a hex wrench (3/16" for the liquid line, 5/16" for the vapor line) into the stem and back out counterclockwise until the valve stem just touches the retaining ring. Do not over tighten. This opens the valve completely. The gauge port is (open) accessible at all times.

WARNING: If the valve stem is backed out past the retaining ring, system pressure could force the valve stem out of valve body and possibly cause personal injury. In the event the retaining ring is missing, do not attempt to open the valve.

7. Replace the valve cap finger-tight, then tighten an additional 1/12 turn or 1/2 hex flat. A metal-to-metal seal is now complete.

SECTION 5. ELECTRICAL CONNECTION

WARNING: Electrical equipment should be installed by a qualified, licensed electrician. Disconnect all power to the unit before installing or servicing. Failure to follow this warning may result in property damage, personal injury or death due to electrical shock.


1. The installer shall check available power to make certain it matches the unit (Name Plate Rating) and that constant voltage can be maintained to the unit. Unsatisfactory performance would otherwise result. The local power company should be contacted on any problems or questions concerning power supply.
2. Install a line service disconnect switch within sight of the condensing unit. The line voltage service wiring for the condensing unit should include a fused disconnect switch.
3. Use correct wire size and fuse size. To ensure that adequate voltage will be available at the condensing unit, the line voltage service wiring MUST be of adequate size. Minimum recommended wire ampacities and maximum fuse sizes are listed on the unit name plate (see also Table 2).
4. Two holes are provided in the control box.
 - One is for the connection of the line voltage conduit or cable. The hole is sized for 1-1/8" conduit.
 - One is for low-voltage wiring. (Refer to the wiring diagram attached to the electrical box cover for connection.)

Model Number	Phase	Freq. (Hz)	Voltage (Volts)	Compressor		Fan Motor Full Load Amps (FLA)	Minimum Circuit Amperes	Max Fuse/HACR Ckt. Bkr.
				Rated Load Amperes (RLA)	Locked Rotor Amperes (LRA)			
4AC13018ASA1	1	60	208/230	10.0	48	0.8	13.3	20
4AC13024ASA1	1	60	208/230	14.3	58.3	0.8	18.7	30
4AC13030ASA1	1	60	208/230	14.3	64	0.8	18.7	30
4AC13036ASA1	1	60	208/230	18.6	79	1.5	24.8	40
4AC13042ASA1	1	60	208/230	20.0	112	1.5	26.5	45
4AC13048ASA1	1	60	208/230	24.3	117	1.5	31.9	50
4AC13060ASA1	1	60	208/230	29.4	134	1.8	38.6	60

Table 2. Electrical Specifications

5. Be sure to ground the condensing unit by securing the ground wire to the grounding lug inside the control box.
6. Be sure to follow National Electrical Code and all local codes


NOTE: Use copper conductors only.

 **CAUTION:** Casing or cabinet must be permanently grounded in accordance with National Electric Code or other applicable local codes.

SECTION 6. REFRIGERANT CHARGE


MEASUREMENT


If a calibrated charging cylinder or accurate weighing device is available, add refrigerant accordingly.

 **CAUTION:** Refrigerant charging should only be carried out by a qualified air conditioning contractor.

FIELD CHARGING

Depending on the type of restricting device that is installed on the system (TXV, piston, capillary tubes, etc.), the subcooling or superheat charging method can be used for field charging or checking the existing refrigerant charge in a system. Because each installation is different in terms of indoor air flow, refrigerant line length, and duct variations, etc., the factory charge may not be correct for every application. To assure the best performance from the air conditioner, the refrigerant charge should be checked and adjusted when needed on each installation.

 **CAUTION:** Compressor damage will occur if system is improperly charged. On new system installations, charge the system per refrigerant charge information label and follow guidelines in these instructions.

 **WARNING:** Refrigerant is under pressure. Guard against refrigerant spraying into the face or on skin. Always wear protective equipment, i.e. safety glasses or goggles and gloves when working with refrigerant.

SUBCOOLING CHARGING METHOD

The subcooling charging method is to be used on units which have Thermostatic Expansion Valve (TXV) as the expansion device. For proper subcooling readings, a standard high side gauge is required for pressure readings.

1. Measure the outdoor air temperature. (T1)
2. Measure the liquid line pressure at the outdoor unit and determine condenser refrigerant temperature by the scale on the high side pressure gauge. (T2)
3. Measure the liquid line temperature on the liquid line at the outdoor unit. (T3)
4. Subtract T3 from T2. (T2 – T3) This is the subcooling value. Compare this value and the outdoor temperature (T1), to the chart on page 8 (Figure 3). If the value is below the line, add refrigerant. If the value is above the line, remove refrigerant charge.

NOTE: When removing refrigerant, always use standard reclaim procedures.

NOTE: On cooler days (65degF or lower), attempts to operate the air conditioner and take gauged pressure readings may be unsuccessful, as unusually low pressures will be observed on the suction line. This type of operation may give the impression of an undercharged unit. Such is NOT necessarily the case. The low-pressure reading may exist because of the large condenser surface area and the cold ambient air removing so much heat from the refrigerant. Sub-cooling occurs and results in very low pressures. Adding refrigerant in cold weather will result in an overcharged unit, which may then trip out on high pressure limit during warm or hot weather. Line pressures should not be taken for test purposes when the outdoor temperature is below 70degF since a false reading may occur. Do not attempt to operate the air conditioner on a day of 45degF or cooler.

SECTION 7. CHECKOUT PROCEDURE

CHECKOUT PROCEDURE

Use the following list to see that nothing was over looked:

1. Have all braze joints on refrigerant lines been leak checked?
2. Line set fittings leak checked?
3. Have base valves been opened?
4. Have all refrigerant lines been secured and isolated properly?
5. Is the indoor coil drain hooked up and draining freely? Pour water in drain pan.
6. Is air filter installed and clean?
7. Is the blower motor speed set correctly?

NOTE: Installer should place unit data sheet and installation instruction in customer packet and give to home owner after installation is complete.

SYSTEM OPERATION CHECKOUT

1. With thermostat set to the OFF position, close disconnect switch or switches to complete circuits to condensing unit and furnace. Set thermostat to call for cooling.
2. After the system starts, check the voltage and amperage at the condensing unit contactor.
3. If voltage is not within 10% of rated voltage, or amperage greatly exceeds nameplate amperage, shut down the system and contact the local power company for corrections; otherwise unsatisfactory performance many result.
4. With the system in operation, check the condensing unit for unusual noise and undue vibration.
5. Allow the system to operate until it is balanced or stabilized (approximately 30 minutes), before making further checks.
6. Remove manifold gage hoses, and install cap on Schrader valves.

SECTION 8. MAINTENANCE



CAUTION: Be sure the unit disconnect is in the OFF position and that all electrical power to the unit is turned off before cleaning the system.

The following maintenance points should be reviewed annually:

INDOOR

- The evaporator coil should be inspected for blockages.
- Vacuum or spray the coil fins with water to remove dust and dirt.

OUTDOOR

- Remove leaf or debris blockage from the condenser.
- Clean the condenser coil by spraying it with clean water from a garden hose.
- Spray water from inside of the coil outward. Avoid wetting any electrical controls.

NOTE: Change air filters monthly to keep the airflow path clean.

If unit is not operating properly, check the following items:

- The indoor section for dirty filter and outdoor section for leaf or debris blockage.
- If the compressor has shutdown on thermal-overload due to dirty filter or blockage, it may be necessary to wait 2 hours to cool before the unit will restart.
- If the temperature setting on the thermostat is low enough to bring the air conditioner on and system still does not start, call a service technician.

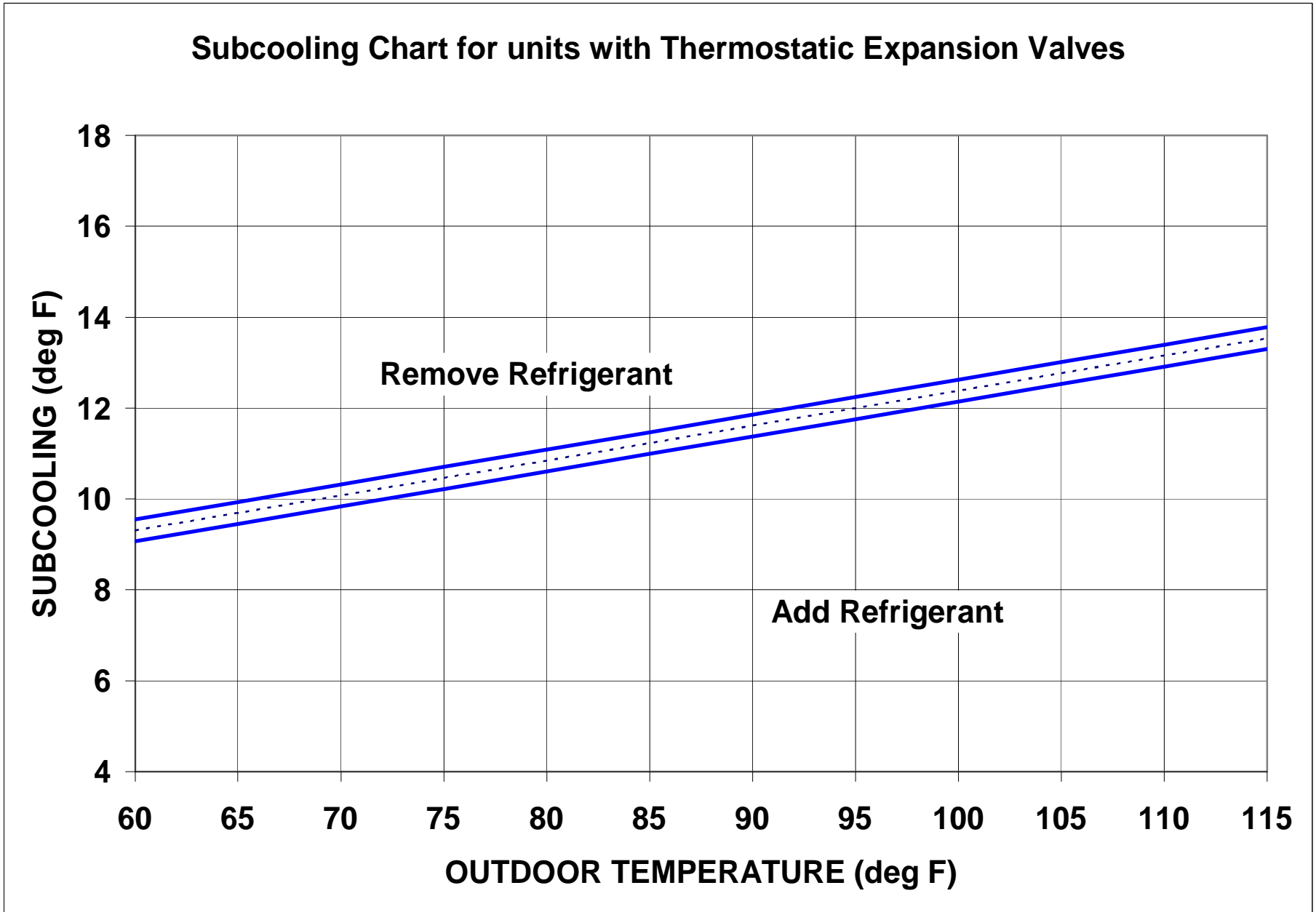


Figure 3. Subcooling Charging Chart

SECTION 9. TROUBLE-SHOOTING CHART



WARNING: Disconnect all power to unit before servicing. Failure to shut off power can cause electrical shock resulting in personal injury or death.

Symptom	Possible Cause	Correction
Unit will not operate	<ul style="list-style-type: none"> Power disconnected or loose connection Blown fuse / breaker tripped Thermostat out of calibration – set too high Contactors defective Transformer defective High pressure control open (if provided) 	<ul style="list-style-type: none"> Check voltage at contactor in condensing unit Replace fuses / reset breaker Reset Check for 24VAC at contactor coil – replace if open Check wiring – replace transformer Reset – see high pressure correction (high pressure control opens at 600 psig)
Outdoor fan on; Compressor off	<ul style="list-style-type: none"> Run or start capacitor defective Start relay defective Loose wire Compressor stuck, grounded or open motor winding, open internal overload Low voltage condition 	<ul style="list-style-type: none"> Replace Replace Check for correct voltage at compressor – check and tighten all connections Wait at least 2 hours for overload to reset; if still open, replace the compressor Add start kit components
Too little cooling	<ul style="list-style-type: none"> Improperly sized unit Improper indoor airflow Incorrect refrigerant charge Air, non-condensibles or moisture in system 	<ul style="list-style-type: none"> Recalculate load Check – should be approximately 400 CFM per ton Charge per procedure in installation manual Recover refrigerant, evacuate and recharge, replace filter drier
Compressor operates in short cycles	<ul style="list-style-type: none"> Incorrect voltage Defective overload protector Refrigerant undercharge 	<ul style="list-style-type: none"> At compressor terminals, voltage must be +/- 10% of nameplate marking when unit is operating Replace – check for correct voltage Add refrigerant
High head pressure; Low suction pressure	<ul style="list-style-type: none"> Restriction in liquid line, expansion device or filter drier Lack of sufficient indoor airflow 	<ul style="list-style-type: none"> Remove or replace defective component Clean/check filters, registers, or evaporator coil that may cause a restriction.
High head pressure; Normal suction pressure	<ul style="list-style-type: none"> Dirty outdoor coil Refrigerant overcharge Outdoor fan not running Air or non-condensibles in system 	<ul style="list-style-type: none"> Clean coil Correct system charge Repair or replace Recover refrigerant, evacuate and recharge
Low head pressure; High suction pressure	<ul style="list-style-type: none"> Expansion device stuck in open position Defective compressor valves 	<ul style="list-style-type: none"> Replace expansion device Replace compressor
Low suction pressure; Compressor cool; Ice on indoor coil	<ul style="list-style-type: none"> Low indoor airflow Operating below 65degF outdoors Moisture in system 	<ul style="list-style-type: none"> Increase speed of blower or reduce restriction – replace air filter Add low ambient kit Recover refrigerant – evacuate and recharge – replace filter drier
High suction pressure; Or fluctuating head and suction pressures	<ul style="list-style-type: none"> Excessive load Defective compressor TXV hunting Air or non-condensibles in system 	<ul style="list-style-type: none"> Recheck load calculation Replace Check TXV bulb clamp – check air distribution on coil – replace TXV Recover refrigerant, evacuate and recharge
Pulsing noise at expansion device or liquid line	<ul style="list-style-type: none"> Air or non-condensibles in system 	<ul style="list-style-type: none"> Recover refrigerant, evacuate and recharge
Registers sweat	<ul style="list-style-type: none"> Low indoor airflow 	<ul style="list-style-type: none"> Increase speed of blower or reduce restriction – replace air filter