




STAINLESS STEEL, CONDENSING,
GAS-FIRED HOT WATER BOILER

SMART BOILER FEATURES

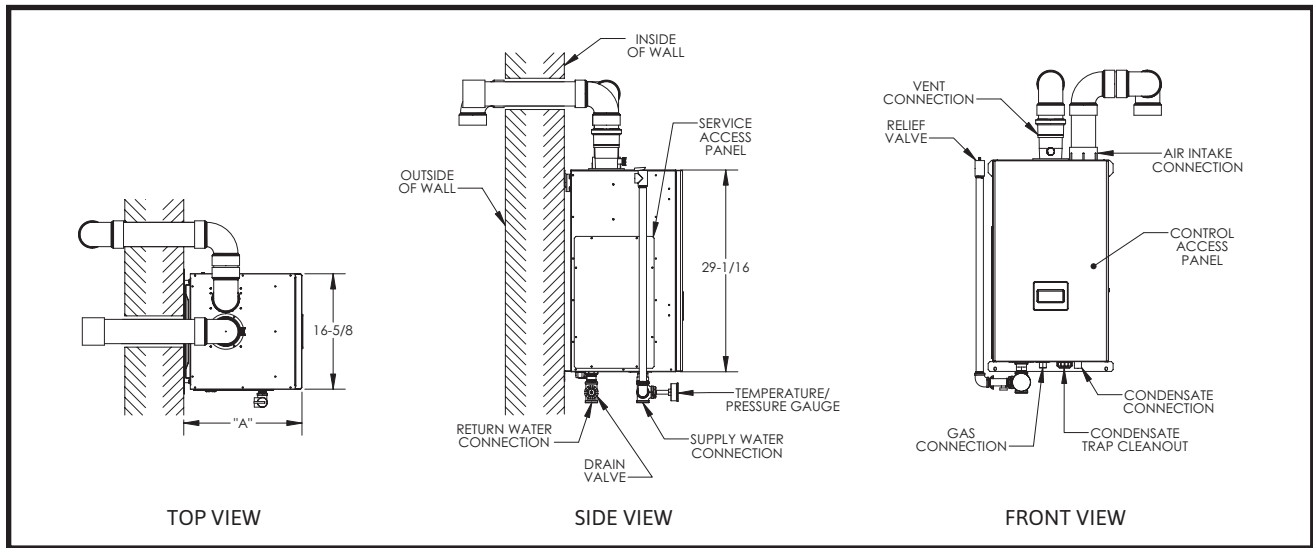
With a 5-to-1 turndown ratio and intelligent control, the Phantom can recognize the home's heating needs and adjust to meet the demand. The Phantom's outdoor reset function gives it the intelligence to adapt to conditions outside. Together they make the Phantom a low energy consumption boiler.

- ♦ Stainless steel water tube heat exchanger
- ♦ Five sizes - 80, 100, 120, 150, and 180 MBH input
Larger sizes available in the Phantom X series 
- ♦ AFUE up to 94%
- ♦ Compact wall mount installation
- ♦ Outdoor reset with included sensor
- ♦ Modulating burner with 5:1 turndown ratio
- ♦ Honeywell SOLA control with touch screen user interface
- ♦ Vent adapter allows for CPVC/PVC or single wall polypropylene venting
- ♦ Preinstalled boiler pump



PHANTOM

TECHNICAL SPECIFICATIONS



MODEL	MAX. INPUT (MBH)	MIN. INPUT (MBH)	HEATING CAPACITY (MBH)	AHRI NET RATING (MBH)	AFUE (%)	WATER VOLUME (GAL.)	DIM. "A"	SUPPLY & RETURN CONN. SIZE (NPT)	GAS CONN. SIZE (NPT)	APPROX. NET WEIGHT (LBS)
PHNTM080	80	16	74	64	94.0	0.36	17"	1"	1/2"	100
PHNTM100	100	20	92	80	93.3	0.44	17"	1"	1/2"	102
PHNTM120	120	24	112	97	94.0	0.53	17"	1"	1/2"	105
PHNTM150	150	30	142	123	95.0	0.79	21"	1"	1/2"	119
PHNTM180	180	36	170	148	94.0	0.79	21"	1"	1/2"	119

NOTES:

1. De-rate required on some models installed above 2,000 ft., consult factory for details. For Canadian installations over 4,500 ft., consult authority having jurisdiction for guidance. PHNTM080 may not be installed using LP gas above 2,000 ft. PHNTM180 may not be installed using LP gas above 7,800 ft.
2. The Net Water Ratings are based on a piping and pickup allowance of 1.15.
3. The manufacturer should be consulted before selecting a boiler for installations having unusual piping and pickup requirements, such as intermittent system operation, extensive piping systems, etc.
4. Refer to manual for system vent length derates.

All Phantom boiler models include a full two-year parts warranty. A 12-year limited warranty is provided for the heat exchanger. A 5-year and a 10-year extended warranty covering parts and labor are also available. Visit CrownBoiler.com or see your warranty for complete details.

ADDITIONAL FEATURES/BENEFITS

- Selectable domestic hot water priority
- Boiler, system, and domestic hot water pump outputs
- Field convertible to LP gas
- Fuse protection for pump and transformer



The Mega-Stor® indirect water heater utilizes the energy created by your boiler to produce abundant hot water for your home. Mega-Stor water heaters come in a variety of sizes from 26 to 119 gallons to meet a multitude of residential and commercial needs.

Specifications are subject to change without notice.

