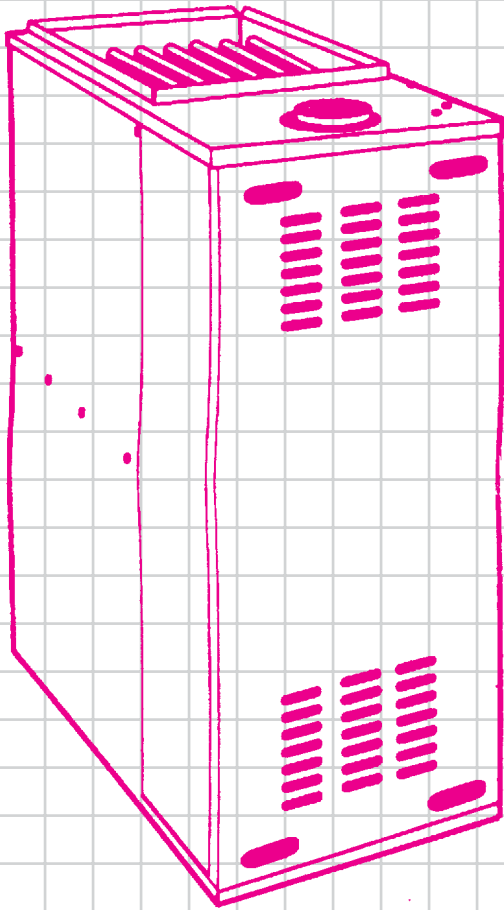
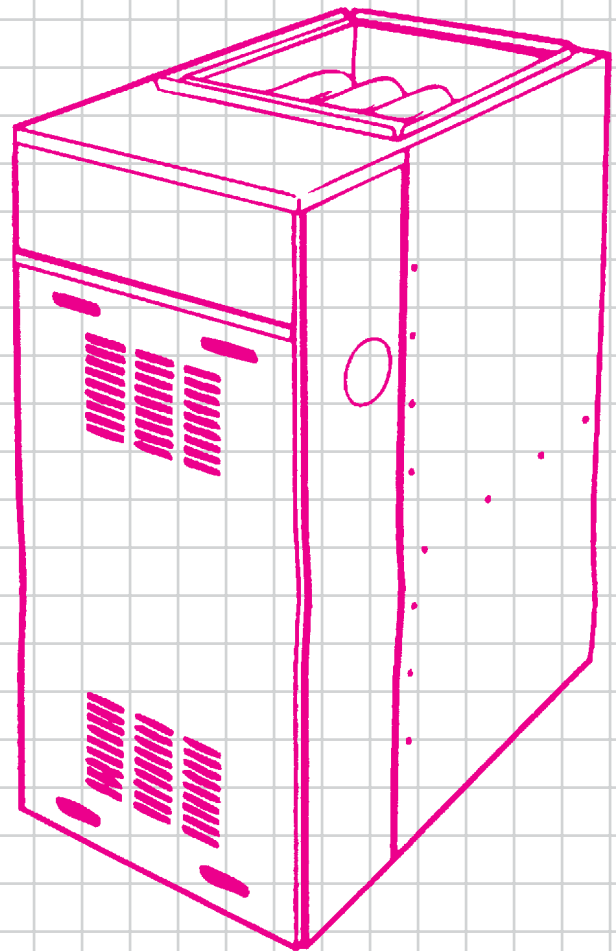


CROWN *Furnace*

A DIVISION OF CROWN BOILER CO.



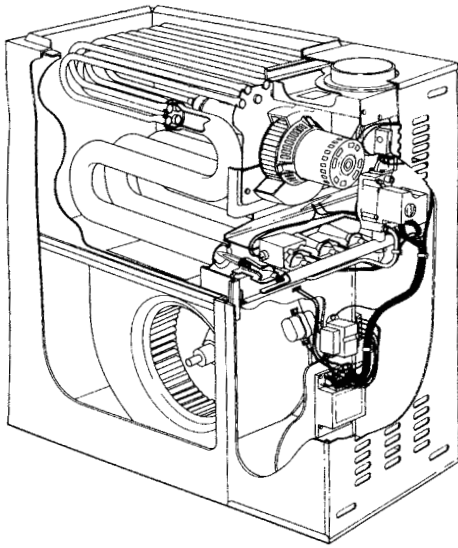
**90% Plus Gas Furnace
Upflow and
Downflow/Horizontal Series**



**80% Plus Multi-Position
Gas Furnace**

CROWN Furnaces give you performance and versatility.

Just see for yourself:



†80% Plus Multi-Position Gas Furnace

Four Speed Permanent Split Capacitor Blower Motor.

Provides quiet comfort to meet individual heating and cooling needs throughout your home.*

Honeywell Control Module.

Monitors all furnace functions for efficient operation. Includes self-diagnostics that simplify servicing.*

Standard Humidifier and Electric Air Cleaner Terminals.

Provide quick installation of add-on equipment.*

Versatile. The industry's first multiposition furnace. One model fits any need... can be installed in an upflow, downflow or horizontal position. And, it can use natural or propane gas. Available from 40,000 to 140,000 BTUH†

Compact. Fits anywhere. Only 31-5/8" tall and 28-13/16" deep. Perfect for zone heating. Allows space for add-on equipment, such as an air conditioner, electronic air cleaner or humidifier.†

Guaranteed. Heat exchanger is covered by a full 20-year limited warranty. All other parts are warranted for 5 years.†

Computer-Designed, Corrosion Resistant, No-Weld, Tubular Heat Exchanger with AL 29-4c Stainless Steel Secondary Heat Exchanger and Burner Systems.

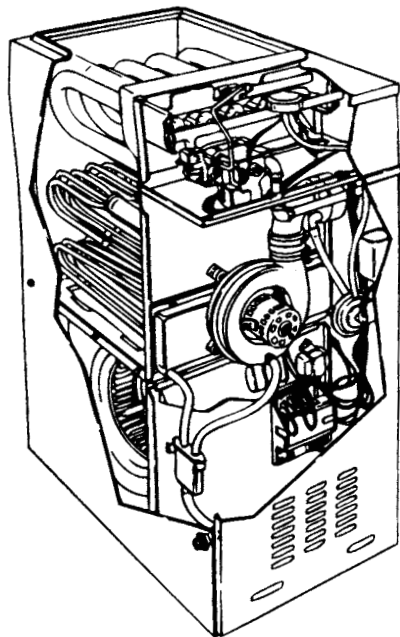
Provide 90%+ heating efficiency. The primary and secondary heat exchangers are covered by a 20-year warranty. All other parts warranted for five years.‡

Indoor/Outdoor Combustion Air Option.

Allows you to choose indoor or outdoor combustion air supply.‡

Low-Profile, 39-5/8" Design.

Compact, zero clearance design squeezes into the tightest spaces.‡



‡90% Plus Gas Furnace Upflow and Downflow/Horizontal Series

***Features found on all Crown Furnaces.**

Crown 80% Plus Series

MODEL	BTUH (input)	BTUH (output)	Max. Cooling Tons	Blower (Direct Drive)		Shipping Weight (lbs)	AFUE Rating %
				Motor	Size		
MDA040NI3R	40,000	32,100	3	1/3	10-6	110	80.2
MDA060NI3R	60,000	48,200	3	1/3	10-6	110	80.2
MDA080NI3R	80,000	64,200	3	1/3	10-6	115	80.2
MDA080NI4R	80,000	64,200	4	1/2	10-8	125	80.2
MDA100NI3R	100,000	80,200	3	1/3	10-6	125	80.2
MDA100NI4R	100,000	80,200	4	1/2	10-8	130	80.2
MDA100NI5R	100,000	80,200	5	3/4	Dual 10-4	145	80.2
MDA120NI4R	120,000	96,300	4	1/2	10-8	145	80.2
MDA120NI5R	120,000	96,300	5	3/4	Dual 10-4	150	80.2
MDA140NI5R	140,000	112,300	5	3/4	Dual 10-6	165	80.2

Crown 90% Plus Series Upflow

MODEL	BTUH (input)	BTUH (output)	Max. Cooling Tons	Blower (Direct Drive)		Shipping Weight (lbs)	AFUE Rating %
				Motor	Size		
UCA054NI3R	54,000	49,100	3	1/3	10-6	122	90.9
UCA072NI3R	72,000	65,500	3	1/2	10-8	131	90.9
UCA072NI4R	72,000	65,500	4	3/4	Dual 10-4	141	90.9
UCA090NI3R	90,000	82,000	3	1/2	10-8	145	90.9
UCA090NI4R	90,000	82,000	4	3/4	Dual 10-4	150	90.9
UCA108NI5R	108,000	98,200	5	3/4	Dual 10-6	174	90.9
UCA126NI5R	126,000	114,600	5	3/4	Dual 10-6	193	90.9

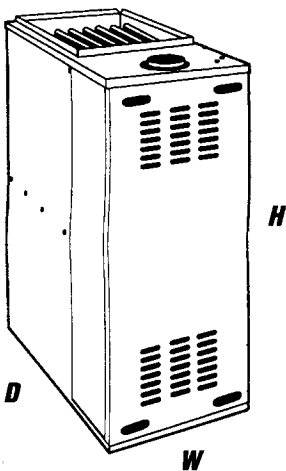
Crown 90% Plus Series Downflow/Horizontal

MODEL	BTUH (input)	BTUH (output)	Max. Cooling Tons	Blower (Direct Drive)		Shipping Weight (lbs)	AFUE Rating %
				Motor	Size		
DCA072NI3R	72,000	65,100	3	1/2	10-8	131	90.4
DCA090NI4R	90,000	81,400	4	3/4	Dual 10-4	150	90.4
DCA108NI5R	108,000	97,700	5	3/4	Dual 10-6	174	90.4
DCA126NI5R	126,000	114,000	5	3/4	Dual 10-6	193	90.4

Dimensions

Model	Furnace (Inches)			Plenum Openings (Inches)				Vent	
				Supply		Return		(Inches)	
	D	W	H	W	D	W	D	Intake	Exhaust
MDA040NI3R	28-13/16	14-1/2	31-5/8	12-15/16	18-15/16	12-3/4	18-29/32	N/A	3
MDA060NI3R	28-13/16	14-1/2	31-5/8	12-15/16	18-15/16	12-3/4	18-29/32	N/A	4
MDA080NI3R	28-13/16	14-1/2	31-5/8	12-15/16	18-15/16	12-3/4	18-29/32	N/A	4
MDA080NI4R	28-13/16	17-1/2	31-5/8	15-15/16	18-15/16	15-3/4	18-29/32	N/A	4
MDA100NI3R	28-13/16	17-1/2	31-5/8	15-15/16	18-15/16	15-3/4	18-29/32	N/A	4
MDA100NI4R	28-13/16	17-1/2	31-5/8	15-15/16	18-15/16	15-3/4	18-29/32	N/A	4
MDA100NI5R	28-13/16	20-1/2	31-5/8	18-15/16	18-15/16	18-3/4	18-29/32	N/A	4
MDA120NI4R	28-13/16	20-1/2	31-5/8	18-15/16	18-15/16	18-3/4	18-29/32	N/A	4
MDA120NI5R	28-13/16	20-1/2	31-5/8	18-15/16	18-15/16	18-3/4	18-29/32	N/A	4
MDA140NI5R	28-13/16	23-1/2	31-5/8	21-15/16	18-15/16	21-3/4	18-29/32	N/A	4
UCA054NI3R	28-13/16	17-1/2	39-5/8	15-15/16	18-15/16	15-3/4	18-7/8	2	2
UCA072NI3R	28-13/16	17-1/2	39-5/8	15-15/16	18-15/16	15-3/4	18-7/8	2 or 3*	2 or 3*
UCA072NI4R	28-13/16	20-1/2	39-5/8	18-15/16	18-15/16	18-3/4	18-7/8	2 or 3*	2 or 3*
UCA090NI3R	28-13/16	17-1/2	39-5/8	15-15/16	18-15/16	15-3/4	18-7/8	2 or 3*	2 or 3*
UCA090NI4R	28-13/16	20-1/2	39-5/8	18-15/16	18-15/16	18-3/4	18-7/8	2 or 3*	2 or 3*
UCA108NI5R	28-13/16	23-1/2	39-5/8	21-15/16	18-15/16	21-3/4	18-7/8	3	3
UCA126NI5R	28-13/16	23-1/2	39-5/8	21-15/16	18-15/16	21-3/4	18-7/8	3	3
DCA072NI3R	28-13/16	17-1/2	39-5/8	15-15/16	18-15/16	15-3/4	18-7/8	2 or 3*	2 or 3*
DCA090NI4R	28-13/16	20-1/2	39-5/8	18-15/16	18-15/16	18-3/4	18-7/8	2 or 3*	2 or 3*
DCA108NI5R	28-13/16	23-1/2	39-5/8	21-15/16	18-15/16	21-3/4	18-7/8	3	3
DCA126NI5R	28-13/16	23-1/2	39-5/8	21-15/16	18-15/16	21-3/4	18-7/8	3	3

Note Vent size will depend upon vent length and number of elbows.
Consult installation instructions for details.

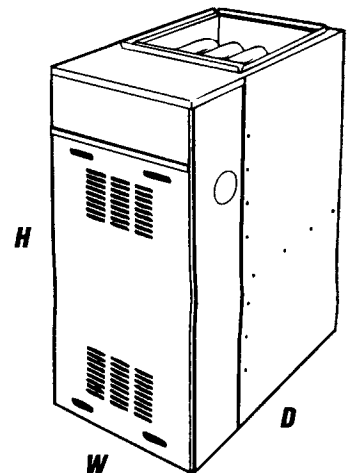


80% Plus Multi-Position Gas Furnace

MASS APPROVED



90% Plus Gas Furnace Upflow and Downflow/Horizontal Series



CROWN Furnace

A DIVISION OF CROWN BOILER CO.

3633 I Street • P.O. Box 14818 • Philadelphia, PA 19134
(215) 535-8900 • Fax (215) 535-9736 • www.crownboiler.com