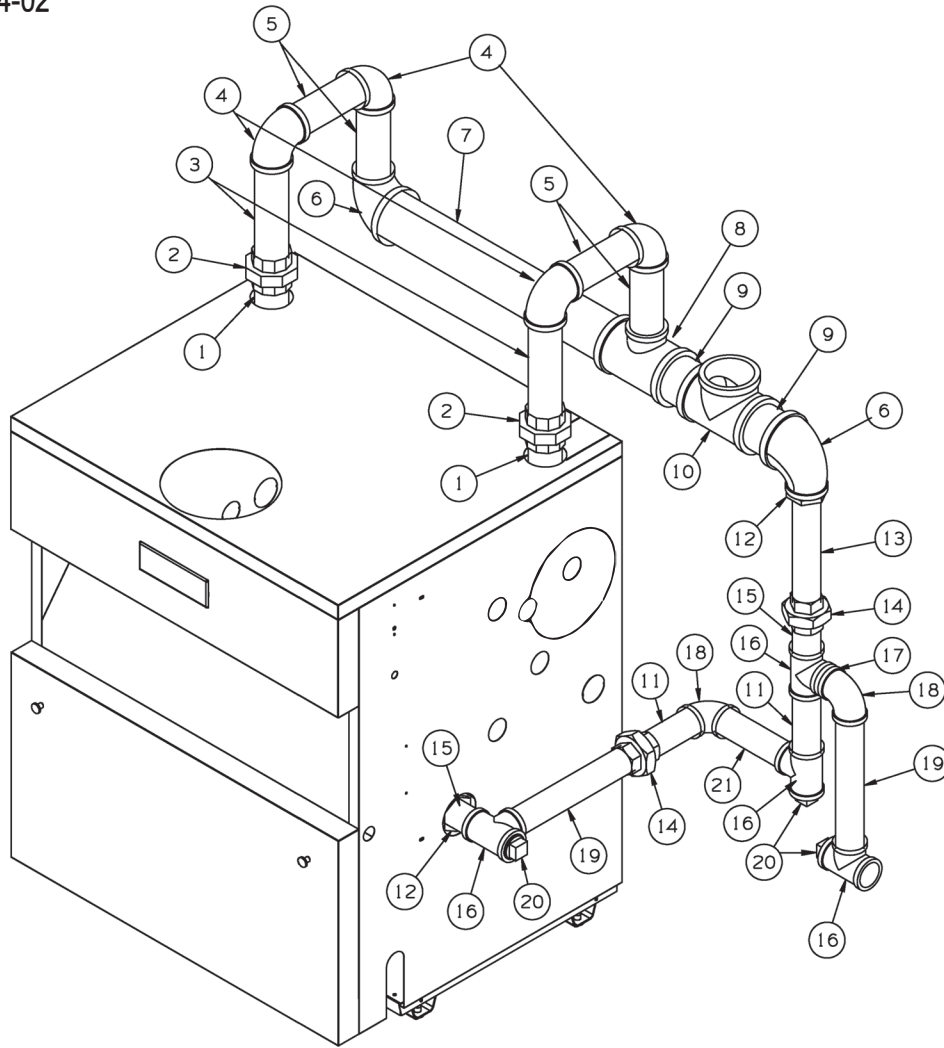


# DOUBLE RISER, DROP HEADER INSTRUCTIONS

7-9 SECTION, GAS - STEAM BOILERS  
KIT PN 113164-02



Number	Quantity In Kit	Description
1	1 (Note 1)	2" x 8" Nipple
2	2	2" Union
3	2	2" x 9" Nipple
4	4	2" - 90° Elbow
5	4	2" x 7" Nipple
6	2	3" x 2" - Reducing Elbow
7 (7 Sec.)	1	3" x 17-1/2" Pipe
7 (8 Sec.)	1	3" x 20-3/4" Pipe
7 (9 Sec.)	1	3" x 24" Pipe
8	1	3" x 3" x 2" Reducing Tee
9	2	3" x 4" Nipple
10	1	3" Tee
11	2	1-1/2"x 5-1/2" Nipple (Note 2)
12	2	2" x 1-1/2" Hex Bushing
13	1	1-1/2" x 11" Nipple
14	2	1-1/2" Union
15	2	1-1/2" x 3-1/2" Nipple
16	4	1-1/2" Tee
17	1	1-1/2" Close Nipple
18	2	1-1/2" 90° Elbow
19	2	1-1/2" x 12" Nipple
20	3	1-1/2" Plug
21	1	1-1/2" x 6-3/4" Nipple (Note 2)

- NOTES: 1. TWO 2" X 8" NIPPLES REQUIRED. ONE SHIPS WITH BOILER.  
2. DUE TO VARIATION IN MAKE UP DIMENSIONS, LENGTH OF THESE NIPPLES MAY NEED TO BE ADJUSTED.  
3. CONSULT INSTALLATION MANUAL FOR ADDITIONAL INFORMATION ON PIPING.