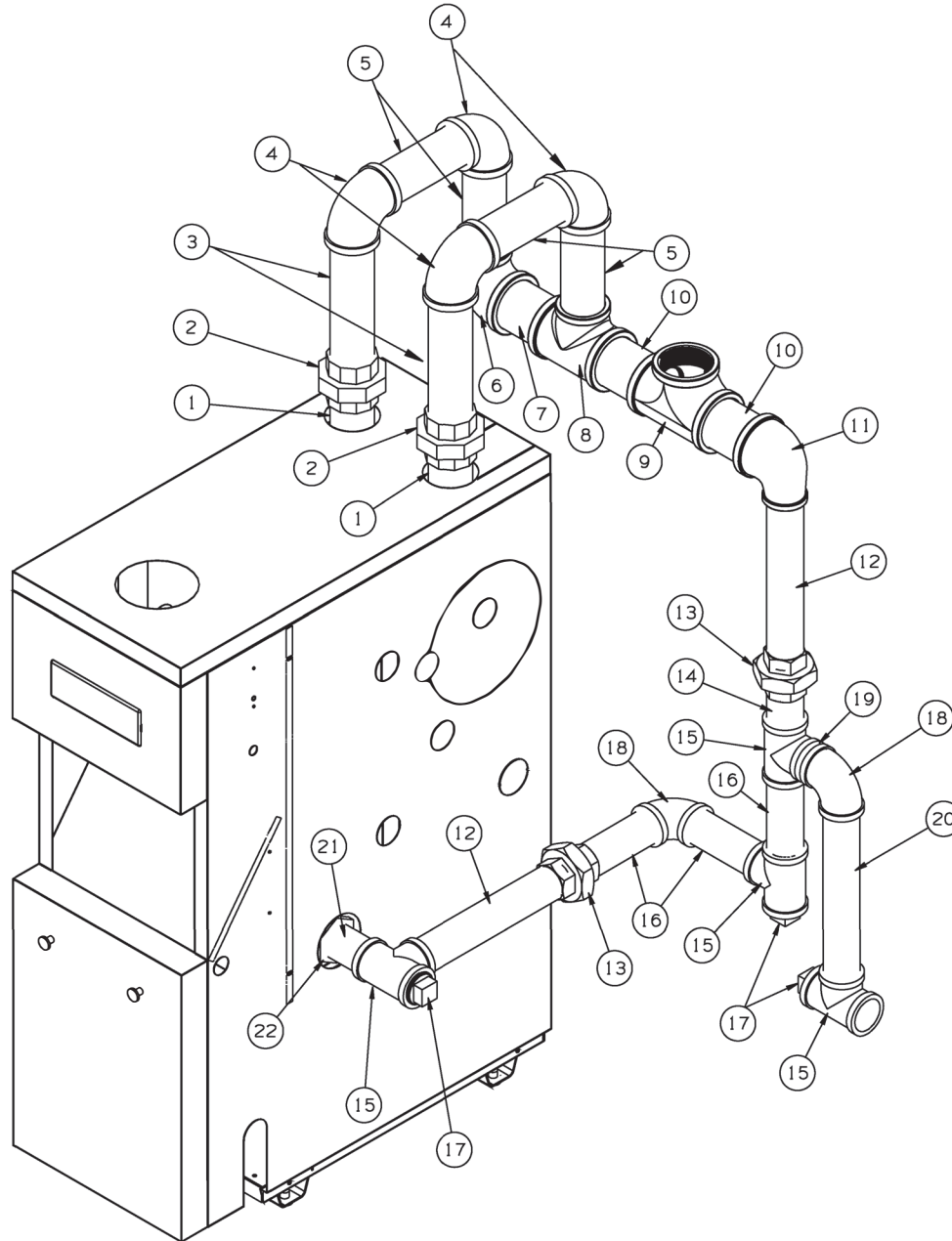


# DOUBLE RISER, DROP HEADER INSTRUCTIONS

3-6 SECTION, GAS-STEAM BOILERS  
KIT PN 113164-01



Number	Quantity In Kit	Description
1	1 (Note 1)	2" x 8" Nipple
2	2	2" Union
3	2	2" x 9" Nipple
4	4	2" 90° Elbow
5	4	2" x 7" Nipple
6	1	2" x 2-1/2" 90° Reducing Elbow
7 (3 Sec.)	1	2-1/2" x 4-1/2" Nipple
7 (4 Sec.)	1	2-1/2" x 7-3/4" Nipple
7 (5 Sec.)	1	2-1/2" x 11" Nipple
7 (6 Sec.)	1	2-1/2" x 14-1/4" Pipe
8	1	2-1/2" x 2-1/2" x 2" Tee Reducer
9	1	2-1/2" Tee
10	2	2-1/2" x 4-1/2" Nipple
11	1	2-1/2" x 1-1/2" 90° Reducing El
12	2	1-1/2" x 11-1/4" Nipple
13	2	1-1/2" Union
14	1	1-1/2" x 3" Nipple
15	4	1-1/2" Tee
16	3	1-1/2" x 6" Nipple (Note 2)
17	3	1-1/2" Plug
18	2	1-1/2" 90° Elbow
19	1	1-1/2" Close Nipple
20	1	1-1/2" x 12" Nipple
21	1	1-1/2" x 3-3/4" Nipple
22	1	2" x 1-1/2" Hex Bushing

- NOTES: 1. TWO 2" x 8" NIPPLES REQUIRED. ONE SHIPS WITH BOILER.  
 2. DUE TO VARIATION IN MAKE UP DIMENSIONS, LENGTH OF THESE NIPPLES MAY NEED TO BE ADJUSTED.  
 3. CONSULT INSTALLATION MANUAL FOR ADDITIONAL INFORMATION ON PIPING.