




BIMINI SERIES

RESIDENTIAL HIGH EFFICIENCY,
CONDENSING, GAS-FIRED,
HOT WATER BOILER

- ♦ Cast aluminum heat exchanger
- ♦ Microprocessor based control system with:
 - Digital touch pad and display
 - Outdoor reset temperature sensor
 - Domestic hot water priority
- ♦ Multiple venting options
 - CPVC/PVC
 - PPs - concentric polypropylene
 - PPs - chimney vent liner
 - AL29-4C Stainless
- ♦ Six sizes from 70 to 225 MBH
- ♦ Natural or LP gas



Bimini Buddy Hydraulic Separator designed to be installed with any wall-mounted Bimini boiler and includes all near boiler piping needed for good hydraulic separation and air elimination in a compact, factory assembled package.

Three Models Available

BB100H - For heat only applications.

BB100I - For connection of a Bimini boiler to a heating system and an indirect water heater like the Mega-Stor®.

BB100C - Combi unit with a plate heat exchanger and flow switch for domestic hot water production in tight places.

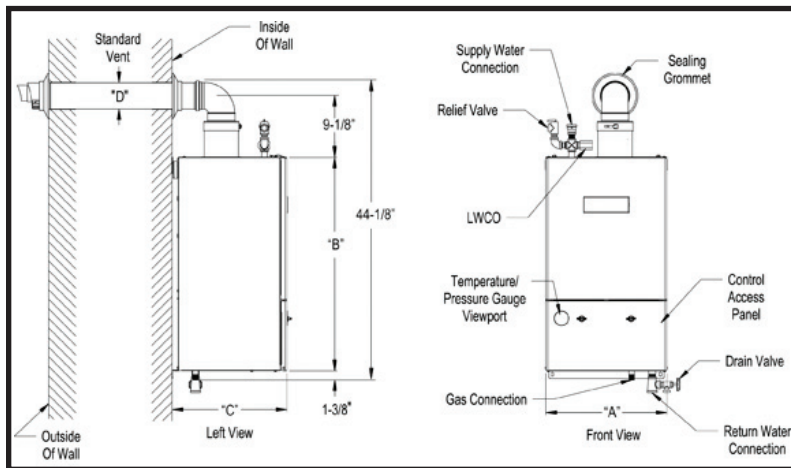
See back side for piping configurations
Wall mount model shown above.



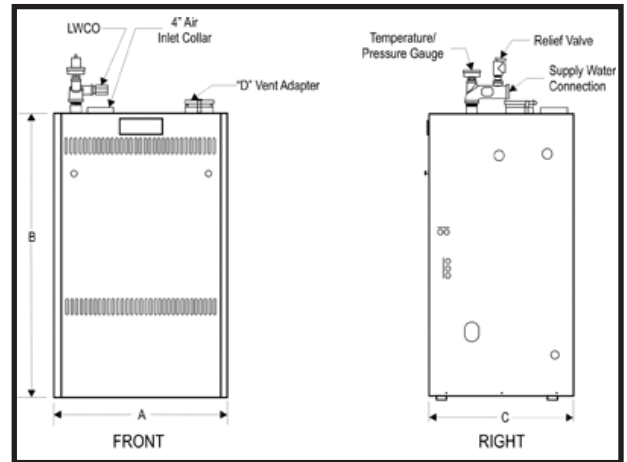
BWC SERIES - BIMINI

TECHNICAL SPECIFICATIONS

BWC070 - BWC090 - BWC120 - BWC151



BWC150 - BWC225



MODEL	NO. OF SECS.	NATURAL AND LP GAS				DIMENSIONS (INCHES)			COLLAR DIAMETERS*		SHIPPING WEIGHT (LBS)
		INPUT MBH	HEATING CAPACITY MBH	NET WATER RATING MBH	AFUE %	"A"	"B"	"C"	AIR INLET	D	
BWC070	Mono	70	63	55	91.0	17-7/8	31-1/2	17	60/100mm Concentric Vent		102
BWC090	Mono	90	80	70	91.0	17-7/8	31-1/2	17	60/100mm Concentric Vent		102
BWC120	Mono	120	108	94	92.8	17-7/8	31-1/2	17	60/100mm Concentric Vent		110
BWC151	Mono	150	135	119	90.5	17-7/8	31-1/2	20-1/2	80/125mm Concentric Vent		133
BWC150	3	150	133	117	90.5	23-3/8	43-3/4	22-1/4	4"	3"	285
BWC225	4	225	202	176	91.0	27	43-3/4	22-1/4	4"	4"	323

ENERGY STAR® rated product

IMPORTANT: THIS BOILER REQUIRES A SPECIAL VENTING SYSTEM. READ INSTRUCTIONS CAREFULLY BEFORE INSTALLING.

*See installation manual for other venting specifications.

- Altitudes above 2,000 ft. - ratings should be reduced at a rate of 4% for each 1,000 ft. above sea level (US only)
- The Net Water Ratings are based on a piping and pickup allowance of 1.15.
- The manufacturer should be consulted before selecting a boiler for installations having unusual piping and pickup requirements, such as intermittent system operation, extensive piping systems, etc.
- Models BWC070/090/120/151 may be installed on non-carpeted combustible surfaces when mounted on optional pedestal base.
- Models BWC150/225 may be installed on non-carpeted combustible surface.

All Bimini boiler models include a full one-year warranty. A 15-year limited warranty is provided for the heat exchanger. A 5-year and a 10-year extended warranty covering parts and labor are also available. Visit CrownBoiler.com or see your warranty for complete details.



The Mega-Stor® indirect water heater utilizes the energy created by your boiler to produce abundant hot water for your home. Mega-Stor water heaters come in a variety of sizes from 26 to 119 gallons to meet a multitude of residential and commercial needs.

ADDITIONAL FEATURES/BENEFITS

- Available for use with natural or LP gas
- Wall mount and floor models available
- Optional pedestal base for wall mount model
- Approved for closet installation with clearances specified in the installation manual
- Probe low water cut-off standard
- Commercial models available, consult factory

Specifications are subject to change without notice.



www.crownboiler.com | Philadelphia PA

BWC - 10/13
PN 980039 - R6