



HI-BOY SHORTY

OIL FURNACE

Designed to be installed in applications
with low ceiling heights

- ♦ Cooling capacity up to 5 tons
- ♦ Easy access cleanouts
- ♦ Higher BTU input than the standard Shorty
- ♦ Durable, hard ceramic chamber for long life
- ♦ Varying firing rates to fit your home's needs
- ♦ Control board is in the front of the cabinet for easier setup access
- ♦ Powder coated jacket for a tough, long lasting finish
- ♦ Efficient 4-speed direct drive blower motor
- ♦ Optional direct vent kit available



5 TON MODEL

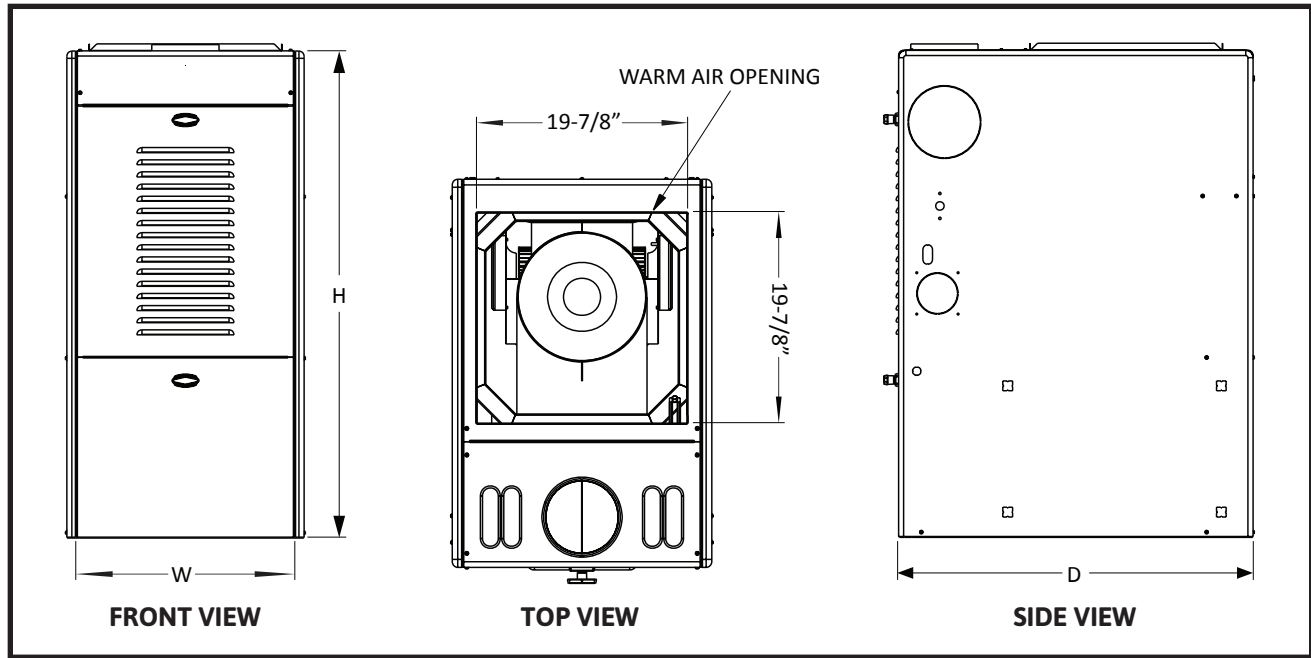
Increase your furnace's
cooling capacity by 25%
compared to our standard
Hi-Boy Shorty

See back side for piping configurations



HI-BOY SHORTY

TECHNICAL SPECIFICATIONS



DIMENSIONS

MODEL	CASING HEIGHT (H)	CASING WIDTH (W)	CASING DEPTH (D)	NOMINAL FLUE OUTLET	SUPPLY AIR OUTLET SIZE (IN.)	RETURN AIR INLET SIZE (IN.)	APPROX SHIPPING WEIGHT (LBS)
OH8FA119D60	50-1/8"	24-1/2"	36-1/2"	7"	20 x 20	23 x 14	310

SPECIFICATIONS

MODEL	HEAT INPUT RATE (BTUH)	OUTPUT (BTUH) ¹	SEASONAL EFFICIENCY ²	LARGEST REC A/C ³	NOMINAL TEMP RISE ⁴	NOZZLE RATING ⁵ (GPH)
HIGH FIRE**	156,250	132,000		5 TONS	60°	1.10
MED FIRE*	140,000	119,000	85.8%	5 TONS	60°	1.00
LOW FIRE**	119,000	101,000		5 TONS	60°	0.85

*Factory installed nozzle

**Shipped loose with furnace (not installed)

1. Output BTUH based on Annual Fuel Utilization Efficiency (AFUE) rated by manufacturer.

2. Seasonal efficiency (also called AFUE, or Annual Fuel Utilization Efficiency) ratings are based on U.S. Department of Energy test procedures.

3. To permit largest recommended air conditioning (at .5 static pressure) selection of the highest motor speed is required.

4. A 70° temperature rise can be achieved by changing the blower settings.

5. Oil pump pressure at 120 PSI.

All oil furnace models include a 3 year limited parts warranty. A limited lifetime warranty is provided for the heat exchanger. A 5-year and a 10-year extended warranty covering parts and labor are also available. Visit CrownBoiler.com or see your warranty for complete details.

Specifications are subject to change without notice.

